

OPTIONS LIST

PART #	DESCRIPTION
325847	HILIM/EOC (End of Cycle)
325849	DISCONNECT SWITCH
325848	CE COMPLIANCE
334163	INTERIOR LIGHT
325853	MODBUS COMM SINGLE
325854	MODBUS COMM MULTIPLE

LIST OF MATERIAL

ITEM	PART #	QTY	DESCRIPTION
CI/HL	310217	1	DESPATCH PROTOCOL 3 CONTROL/HI-LIMIT
1T/C	144755	1	JJ39005.5-303.5-25048-006 T/C
HTR	VARIES	1-3	BASED ON MODEL. SEE HEATER CHART
MTR	145783	1	00.25 HP MOTOR
1,4FU	VARIES	2	BASED ON MODEL. SEE FUSE CHART
2,3FU	117172	2	600V 3.0A FUSE ATDR
1,2CR	1	1	30A DPST RELAY 240V COIL (ON PCB)
SSR	057345	1	30A SOLID STATE RELAY
C	143882	1	10-3 CORD AY
PCB	183949	1	CIRCUIT BOARD ASSEMBLY 240V
J3	159156	1	TERMINAL BLOCK JUMPER PHZSE4188
1SW	140097	1	SWITCH DPST 5AMP
CF	015229	1	CABINET FAN 240V

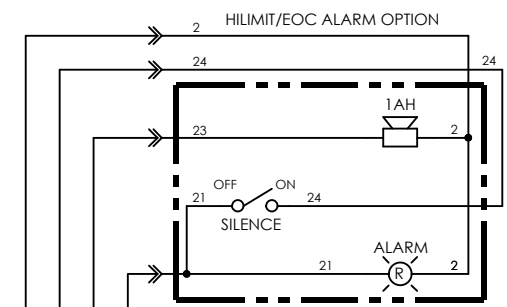
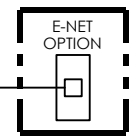
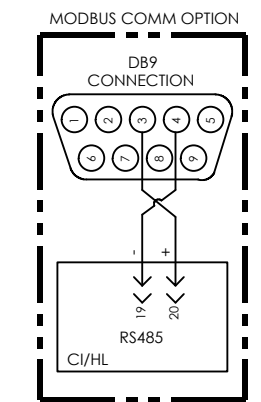
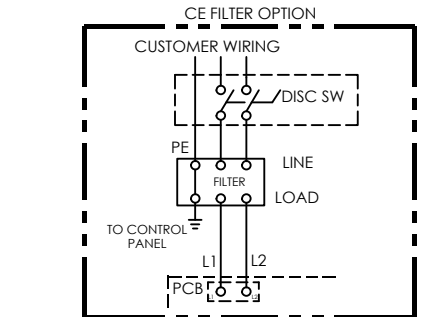
IF ETHERNET OPTION:
 CI/HL 310242 1 PROTOCOL 3 CONTROL/HI-LIMIT W/ENET

LBB FUSE CHART

240V MODEL	ITEM	QTY	PART #	DESCRIPTION
LBB1-23	1,4FU	2	123692	600V 6.0A FUSE ATDR
LBB1-69	1,4FU	2	125562	600V 12.0A FUSE ATDR
LBB2-12	1,4FU	2	124475	600V 20.0A FUSE ATDR
LBB2-18	1,4FU	2	124475	600V 20.0A FUSE ATDR
LBB2-27	1,4FU	2	134923	600V 25.0A FUSE ATDR

LBB HEATER CHART

240V MODEL	ITEM	QTY	PART #	DESCRIPTION
LBB1-23	1HTR	1	007818	1200W HEATER
LBB1-69	1HTR	1	007819	2400W HEATER
LBB2-12	1HTR	1	007778	3600W HEATER
LBB2-18	1-3HTR	3	007818	1200W HEATER
LBB2-27	1-2HTR	2	007819	2400W HEATER



REV	DATE	BY	DESCRIPTION OF CHANGE	ECO #
B	2/17/17	GDY	INTERIOR LT 334163 WAS 325850	1600192

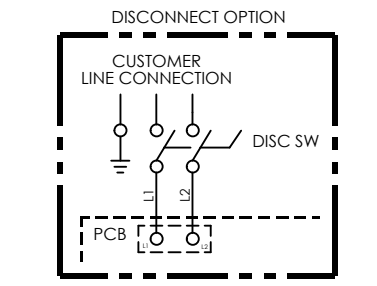
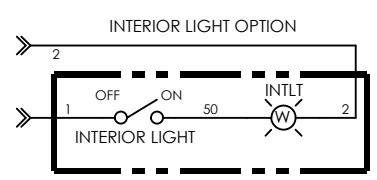
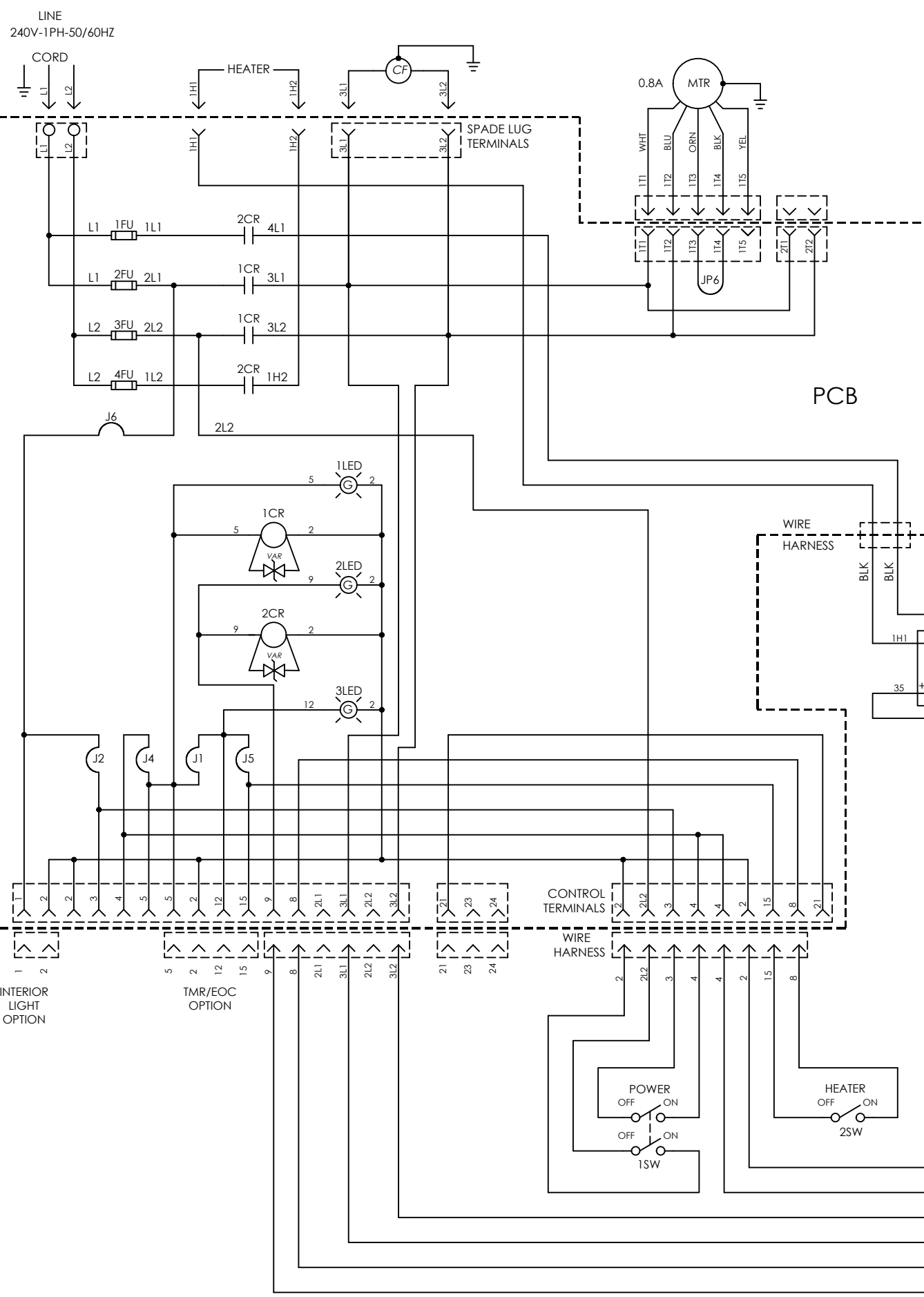
UNLESS OTHERWISE SPECIFIED DIMENSIONAL TOLERANCES ARE:	DECIMALS .XX ± .030 .XXX ± .005 ANGLES ± 1°	
DR/N	SDS	SCALE
CK'D	ZJW	DATE 6/11/14
APP	SDS	DATE

PARENT NO.	SERIAL NO.	CUSTOMER NO.
Despatch RANSCO MINNEAPOLIS, MN • KEVILVILLE, MN		
LBB-2 OPT P-3 ELEC DWG 240V ELECTRICAL DRAWING 240V 1PH 50/60HZ		
D	—	325841 B 01
SIZE	CODE	PART NUMBER REV SERIES

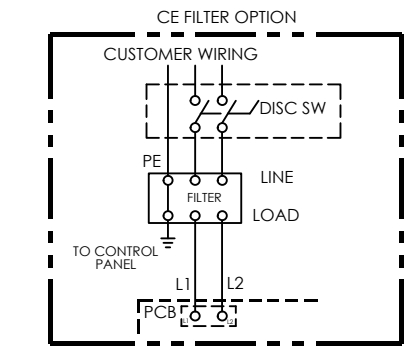
THE DESIGN SHOWN ON THIS DRAWING IS THE EXCLUSIVE PROPERTY OF DESPATCH INDUSTRIES, AND IS SUBMITTED WITH THE UNDERSTANDING THAT IT IS NOT TO BE USED FOR ANY PURPOSE OR ITS CONTENTS DISCLOSED WITHOUT THE WRITTEN CONSENT OF DESPATCH INDUSTRIES.

DR/N SDS SCALE
 CK'D ZJW DATE 6/11/14
 APP SDS

COPYRIGHT © 2014 DESPATCH INDUSTRIES.



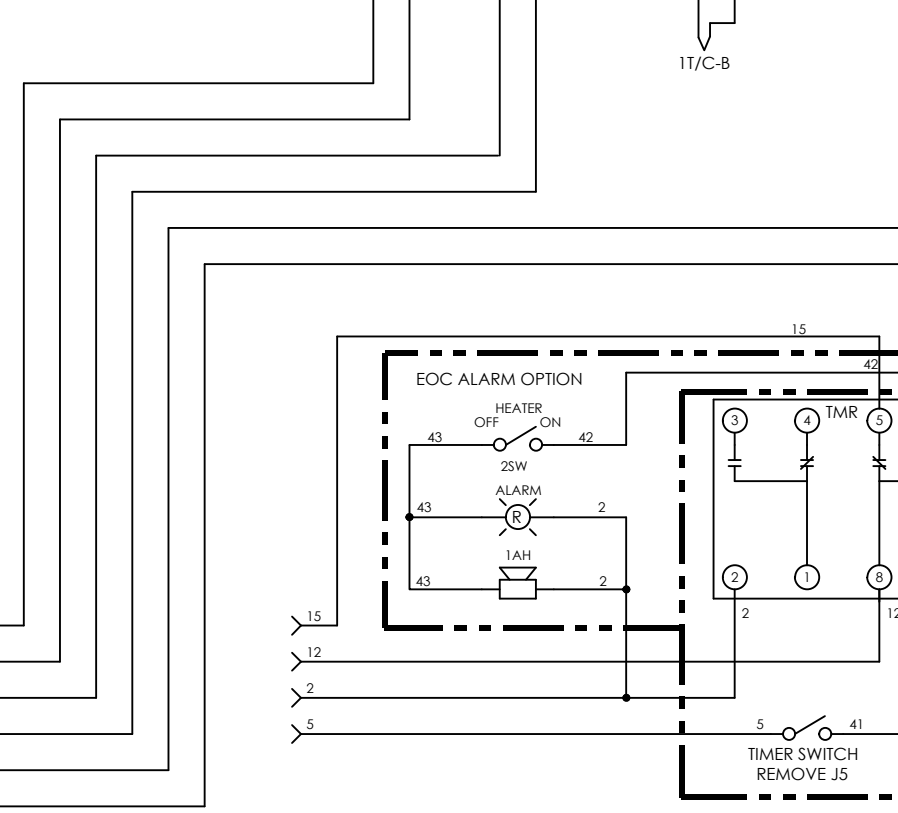
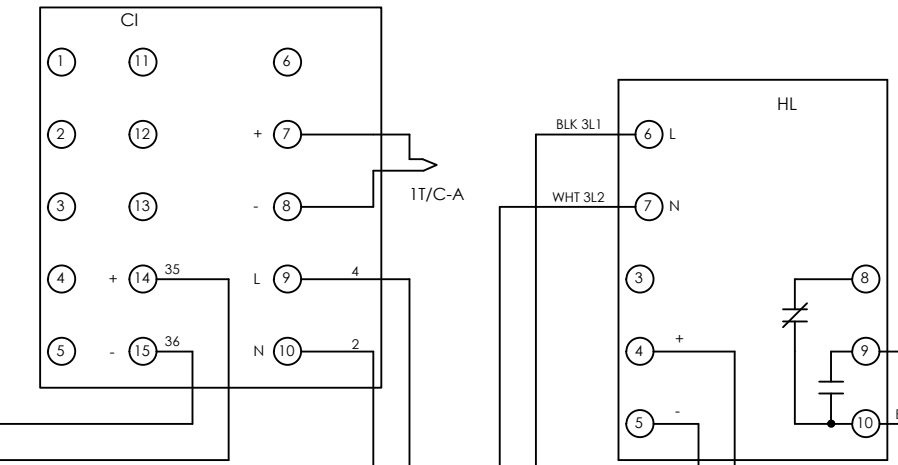
OPTIONS LIST	
PART #	DESCRIPTION
325846	TMR/EOC (End of Cycle)
325849	DISCONNECT SWITCH
325848	CE COMPLIANCE
334163	INTERIOR LIGHT



LIST OF MATERIAL			
ITEM	PART #	QTY	DESCRIPTION
CI	144749	1	CTL DES2000-144749
HL	165051	1	DESPATCH L91 HIGH LIMIT
IT/C	144755	1	JJ39005.5-303.5-25048-006-2 T/C
HTR	VARIABLES	1-3	BASED ON MODEL, SEE HEATER CHART
MTR	008333	1	00.04 HP MOTOR
1,4FU	VARIABLES	2	BASED ON MODEL, SEE FUSECHART
2,3FU	117172	2	600V 3.0A FUSE ATDR
1,2CR		2	30A DPST RELAY 240V COIL (ON PCB)
SSR	057345	1	30A SOLID STATE RELAY
PCB	183949	1	CIRCUIT BOARD ASSEMBLY 240V
1,2SW	140097	2	SWITCH DPST 5AMP
CF	015229	1	MU3A1 CABINET FAN 240V
CORD	143882	1	10-3 CORD AY

LBB FUSE CHART				
240V MODEL	ITEM	QTY	PART #	DESCRIPTION
LBB1-23	1,4FU	2	123692	600V 6.0A FUSE ATDR
LBB1-69	1,4FU	2	125562	600V 12.0A FUSE ATDR
LBB2-12	1,4FU	2	124475	600V 20.0A FUSE ATDR
LBB2-18	1,4FU	2	124475	600V 20.0A FUSE ATDR
LBB2-27	1,4FU	2	134923	600V 25.0A FUSE ATDR

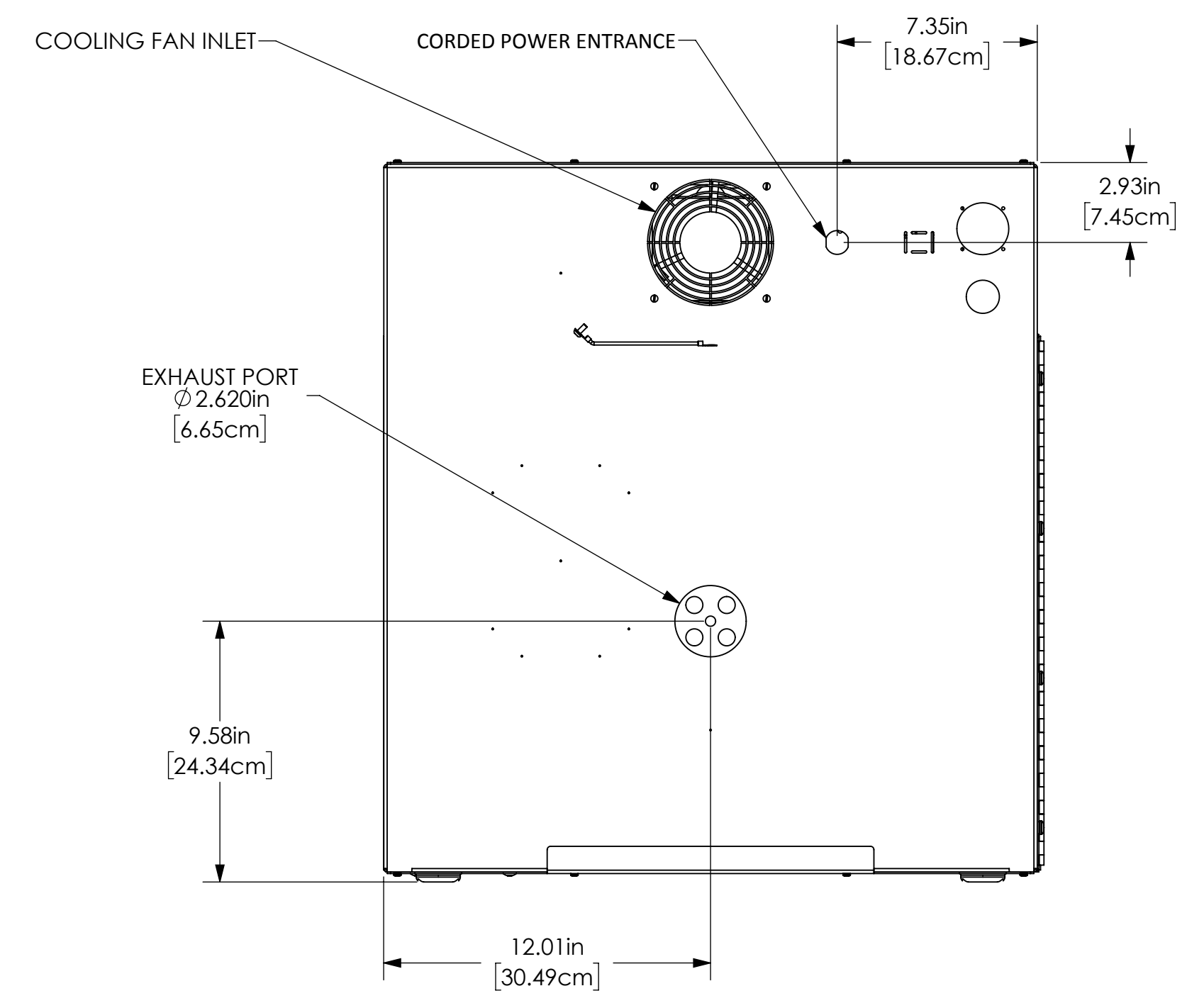
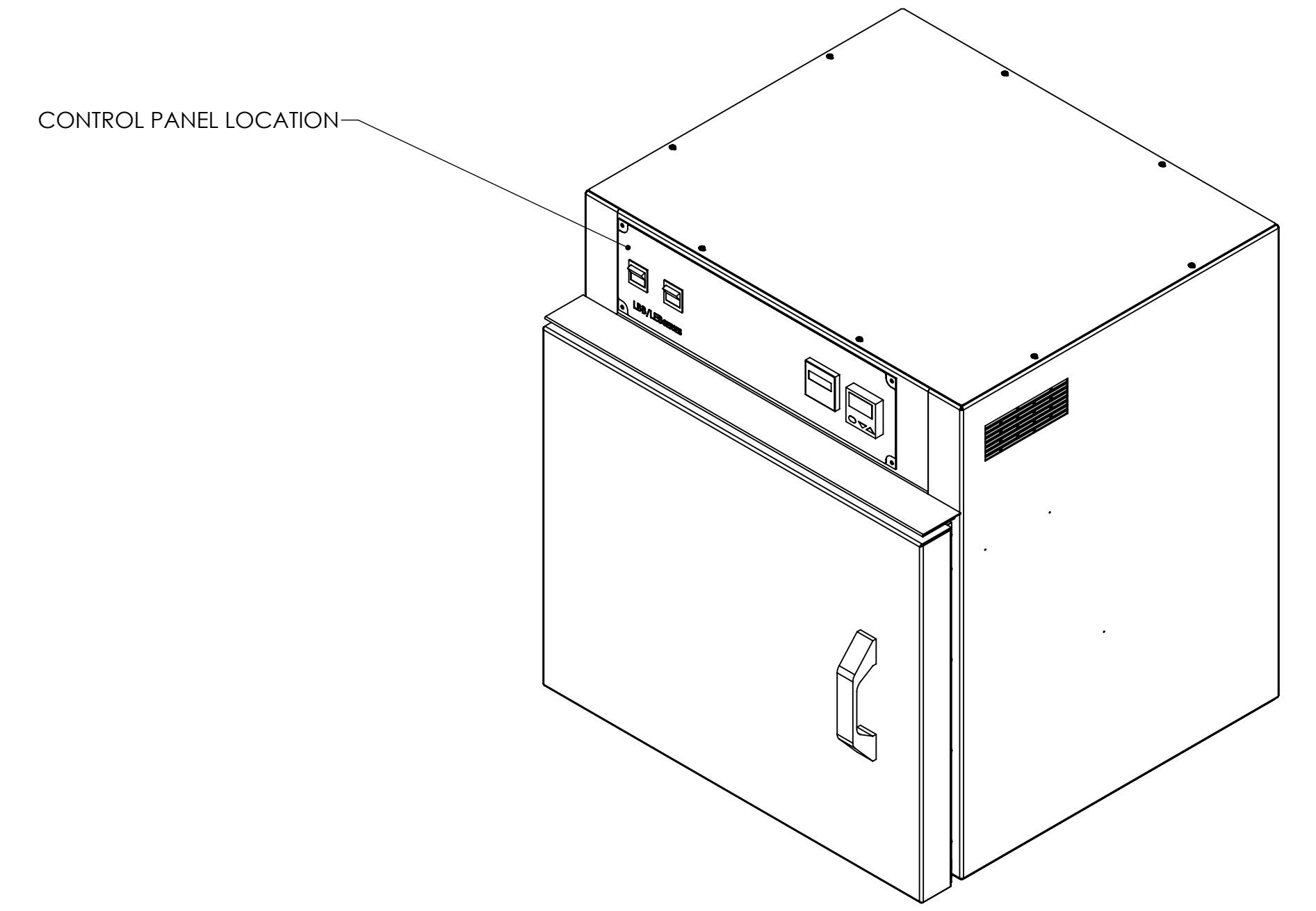
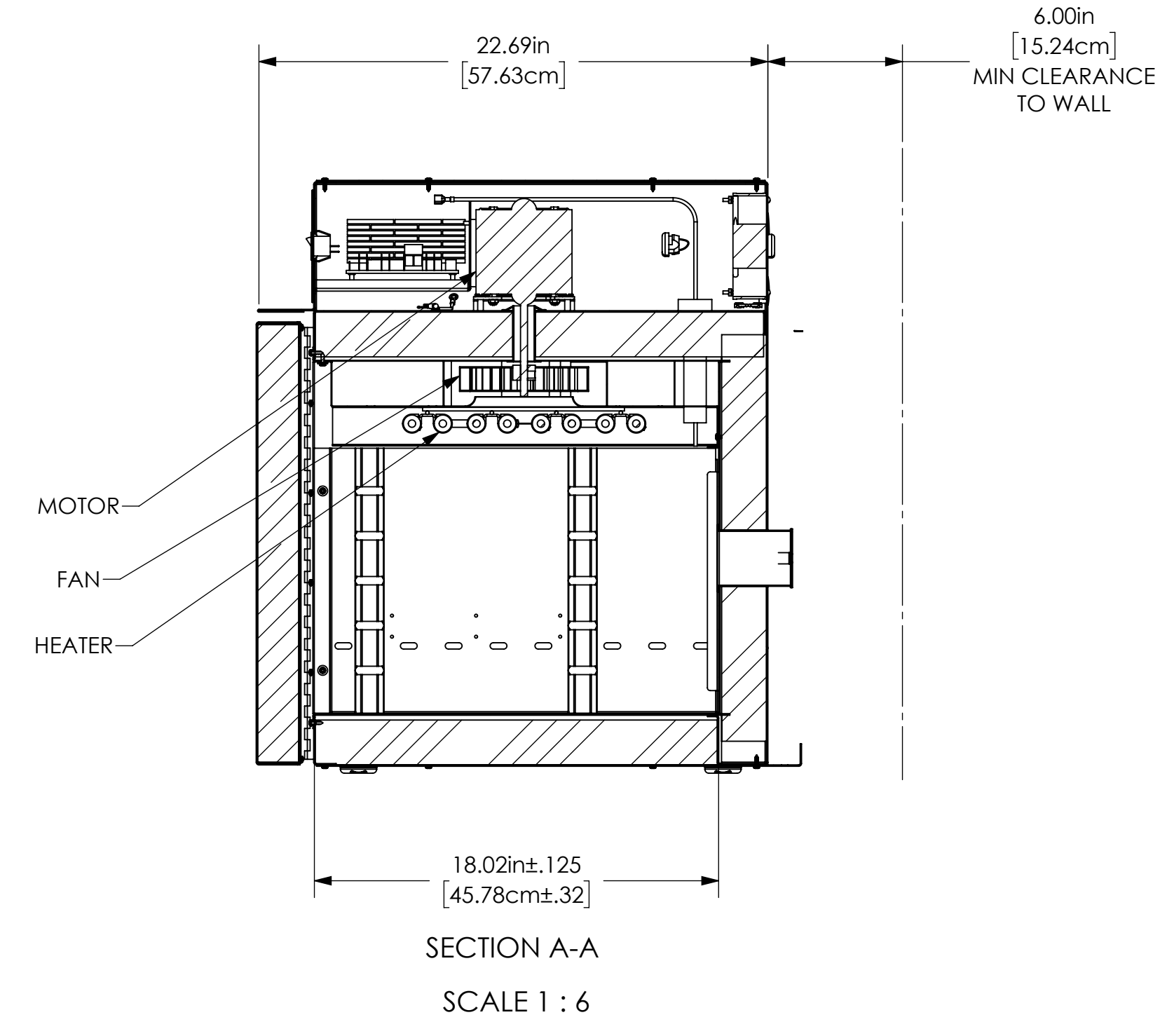
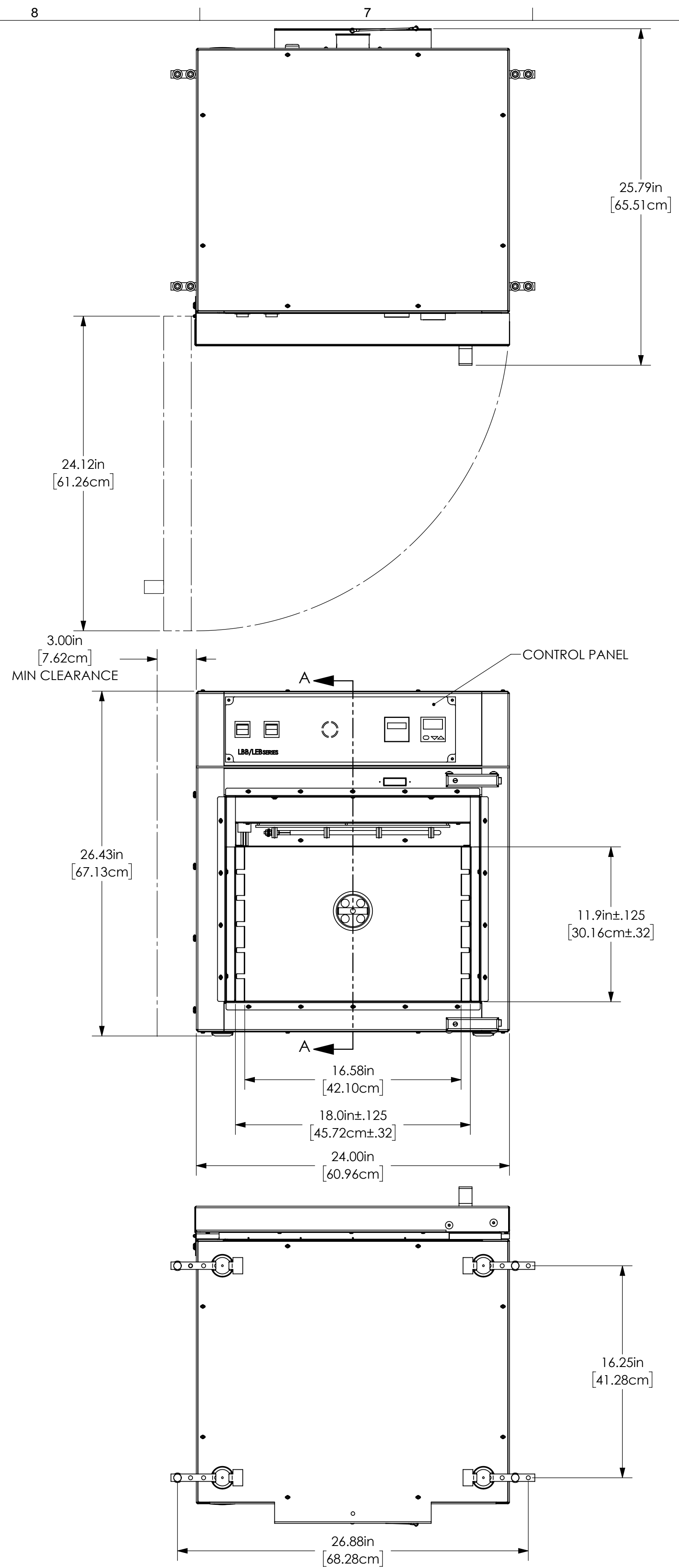
LBB HEATER CHART				
240V MODEL	ITEM	QTY	PART #	DESCRIPTION
LBB1-23	1,HTR	1	007818	1200W HEATER
LBB1-69	1,HTR	1	007819	2400W HEATER
LBB2-12	1,HTR	1	007778	3600W HEATER
LBB2-18	1-3HTR	3	007818	1200W HEATER
LBB2-27	1,2HTR	2	007819	2400W HEATER



REV	DATE	BY	DESCRIPTION OF CHANGE	ECO #
B	2/17/17	GDY	INTERIOR LT 334163 WAS 325850	1600192

UNLESS OTHERWISE SPECIFIED DIMENSIONAL TOLERANCES ARE:	DECIMALS .XX ± .030 .XXX ± .005 ANGLES ± 1°	DR'N	SDS	SCALE
THE DESIGN SHOWN ON THIS DRAWING IS THE EXCLUSIVE PROPERTY OF DESPATCH INDUSTRIES, AND IS SUBMITTED WITH THE UNDERSTANDING THAT IT IS NOT TO BE USED FOR ANY PURPOSE OR ITS CONTENTS DISCLOSED WITHOUT THE WRITTEN CONSENT OF DESPATCH INDUSTRIES.		CK'D	ZJW	DATE 6/11/14
COPYRIGHT © 2014 DESPATCH INDUSTRIES.		APP	SDS	DRAWING # 010

PARENT NO.	SERIAL NO.	CUSTOMER NO.
Despatch RANCO		
MINNEAPOLIS, MN • KEVILLE, MN		
LBB-2 STD ELEC DWG 240V ELECTRICAL DRAWING 240V 1PH 50/60HZ		
D	325840	B 01
SIZE	CODE	PART NUMBER
REV	DATE	SERIES



REV.	DATE	BY	DESCRIPTION	ECO #
C	12/12/2017	DLM	UPDATED DIMENSIONS	1700198

UNLESS OTHERWISE SPECIFIED DIMENSIONAL TOLERANCES

DECIMALS .XX ± .030 .XXX ± .005

THE DESIGN SHOWN ON THIS DRAWING IS THE EXCLUSIVE PROPERTY OF DESPATCH INDUSTRIES. IT IS SUBMITTED WITH THE UNDERSTANDING THAT IT IS NOT TO BE USED FOR ANY PURPOSE OR ITS CONTENTS DISCLOSED WITHOUT THE WRITTEN CONSENT OF DESPATCH INDUSTRIES.

COPYRIGHT ©2014 DESPATCH INDUSTRIES

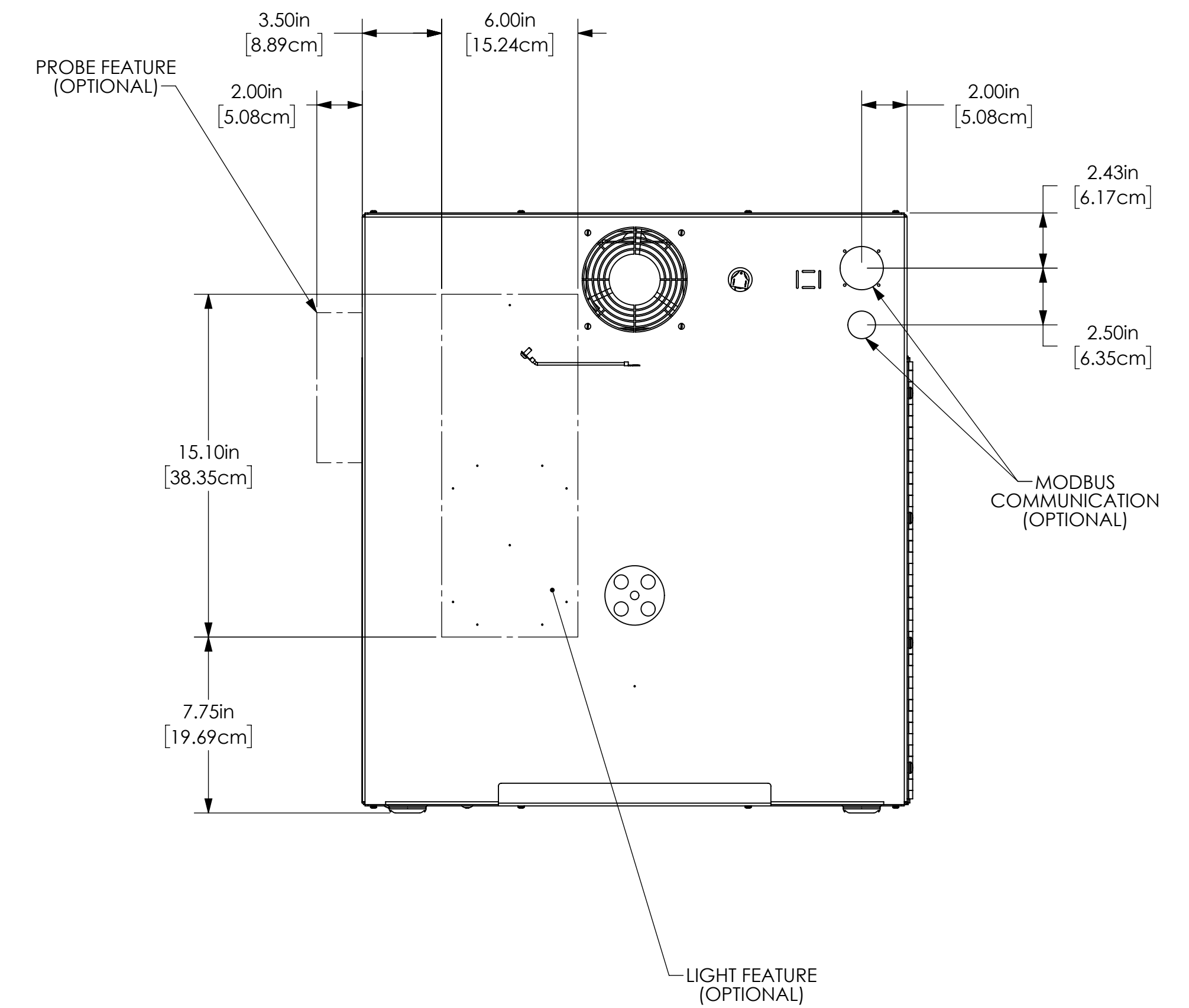
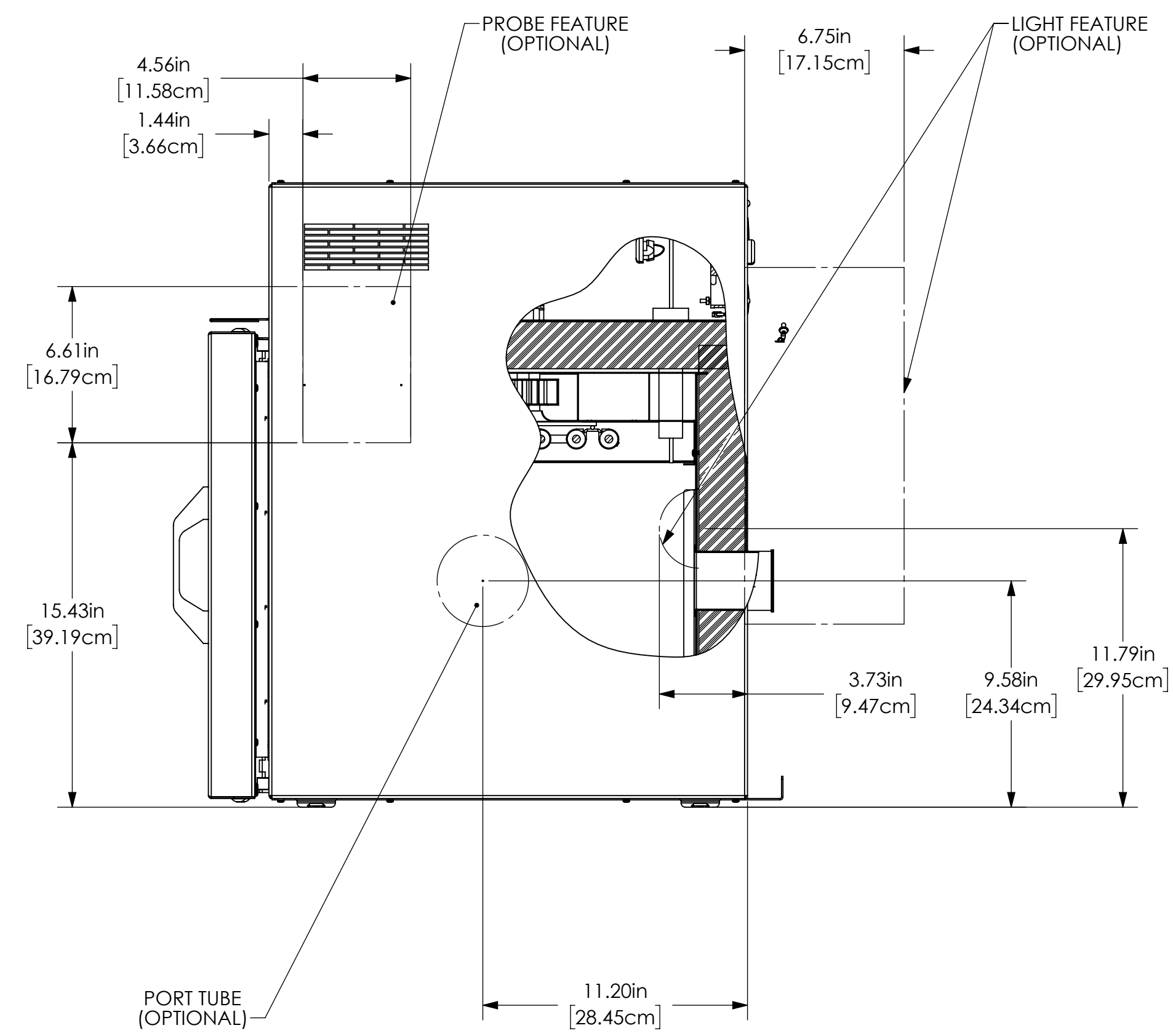
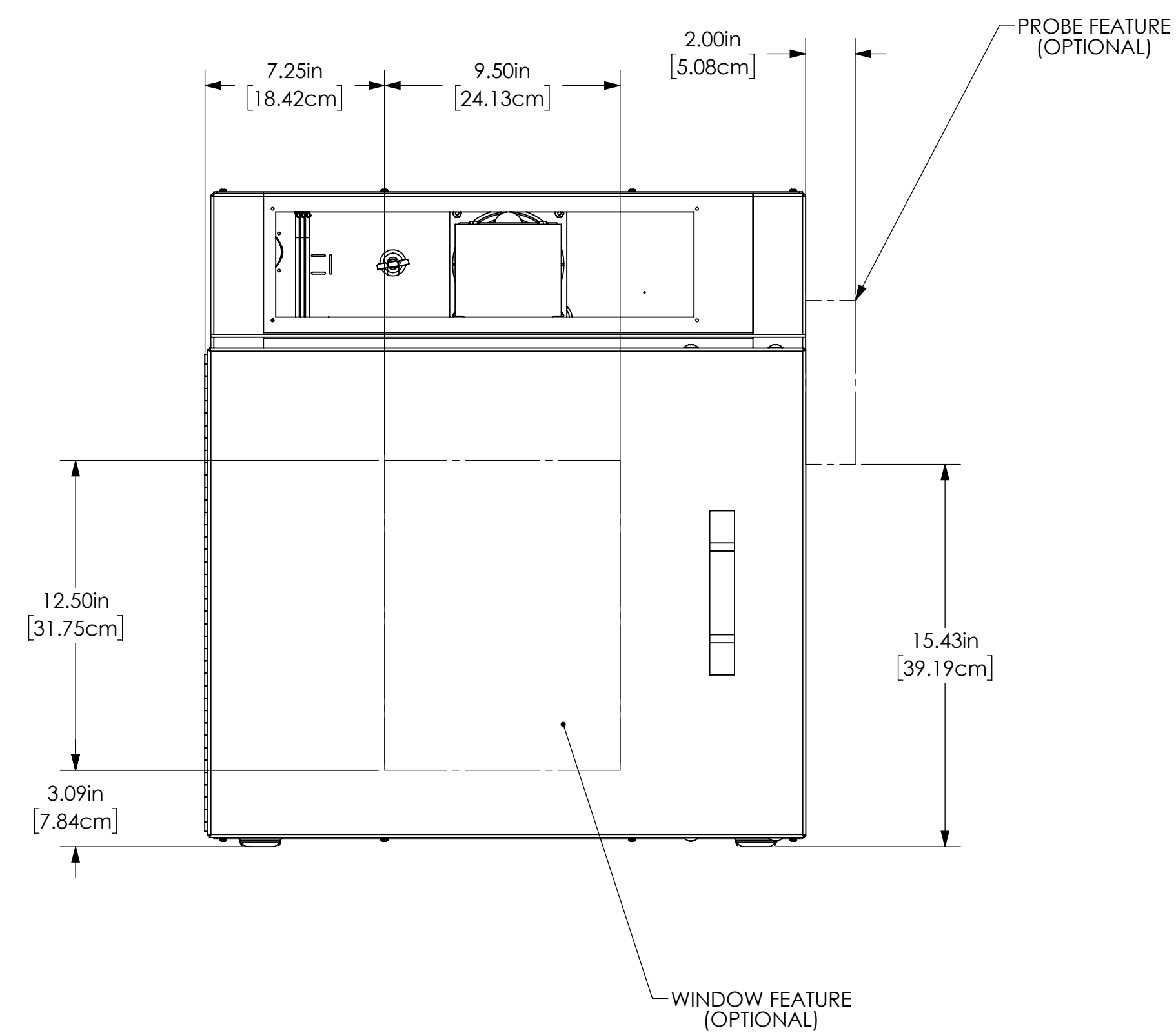
DR'N	BS	SCALE	1:12
CK'D	ERA	DATE	08/18/2014
APP	ERA	SMALLER TO	---

Despatch
MINNEAPOLIS, MN LAKEVILLE, MN

LBB1-23-2 SALES PROPOSAL

D	---	342154	C	1 of 2
SIZE	CODE	PART NUMBER	REV	SHT OF SHITS

OPTIONAL ASSEMBLIES



DR'N	BS	SCALE	1:8
CK'D	ERA	DATE	08/18/2014
APP	ERA	DESIGNED BY	---



LBB1-23-2 SALES PROPOSAL

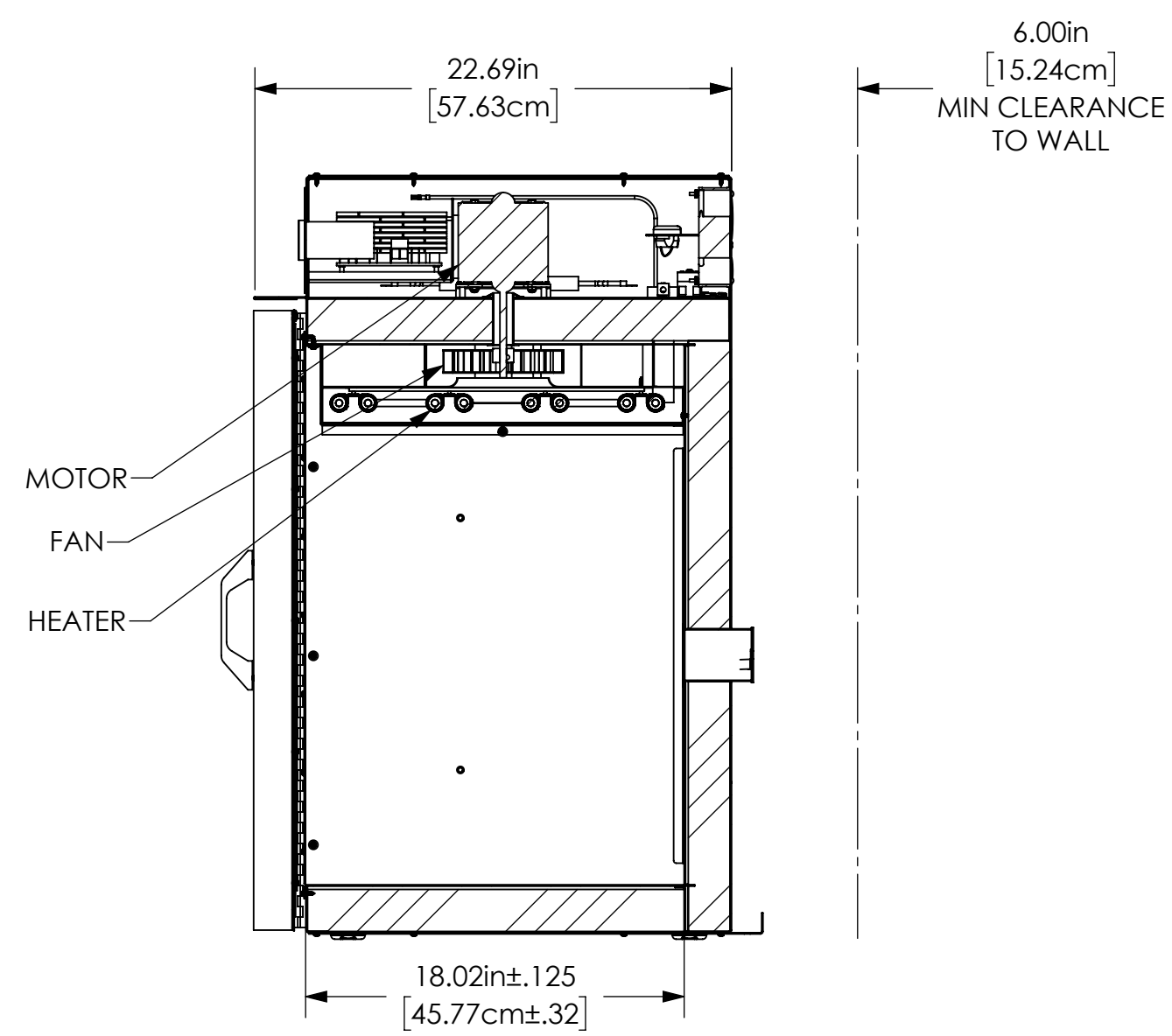
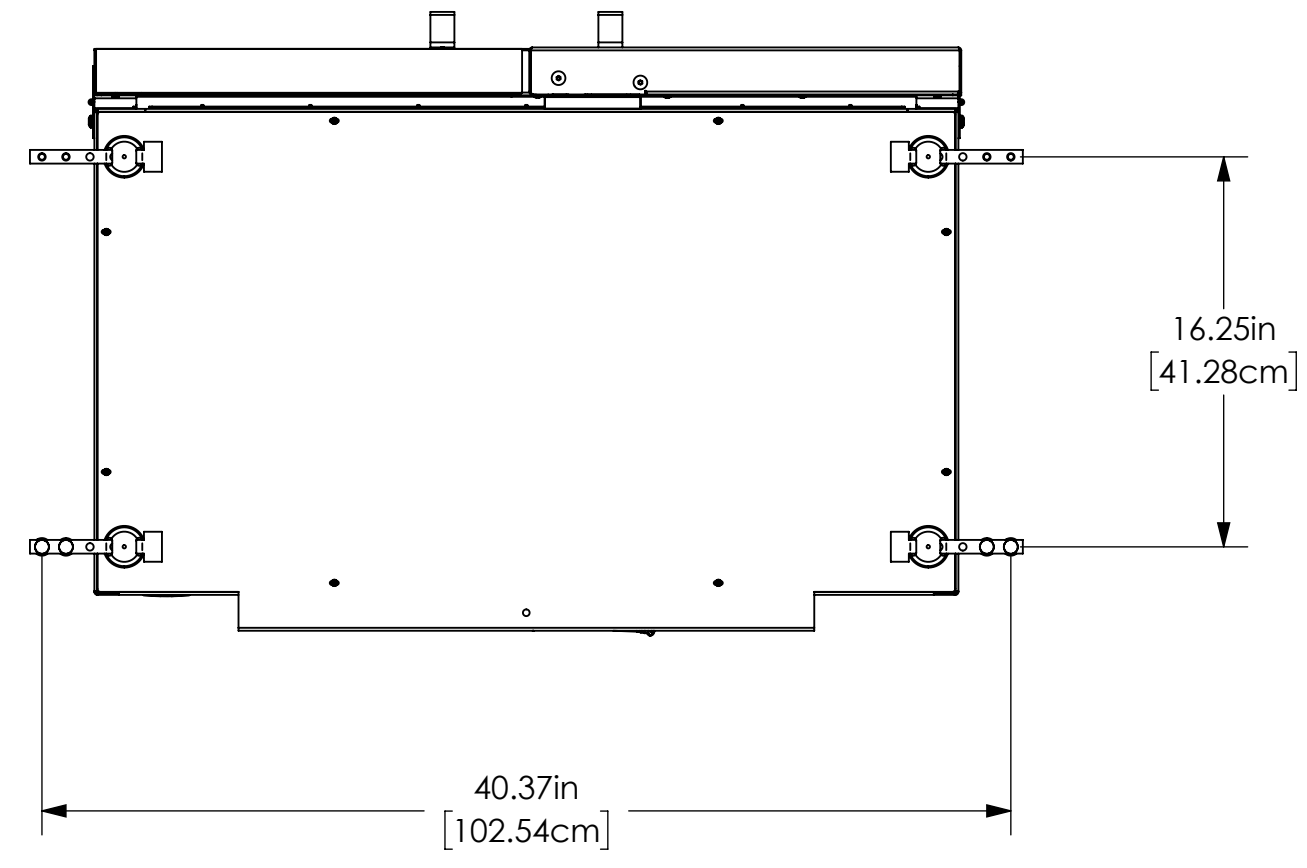
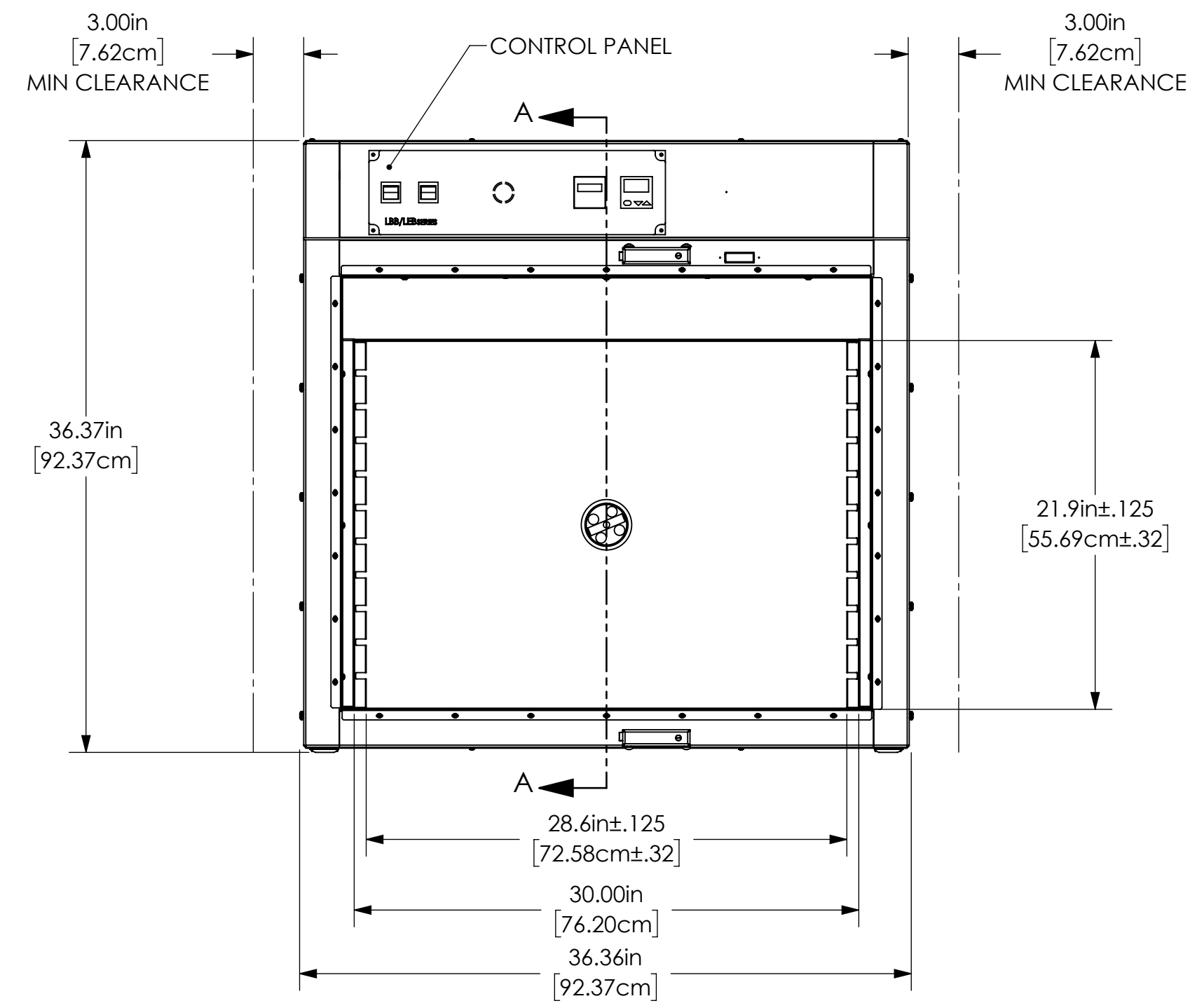
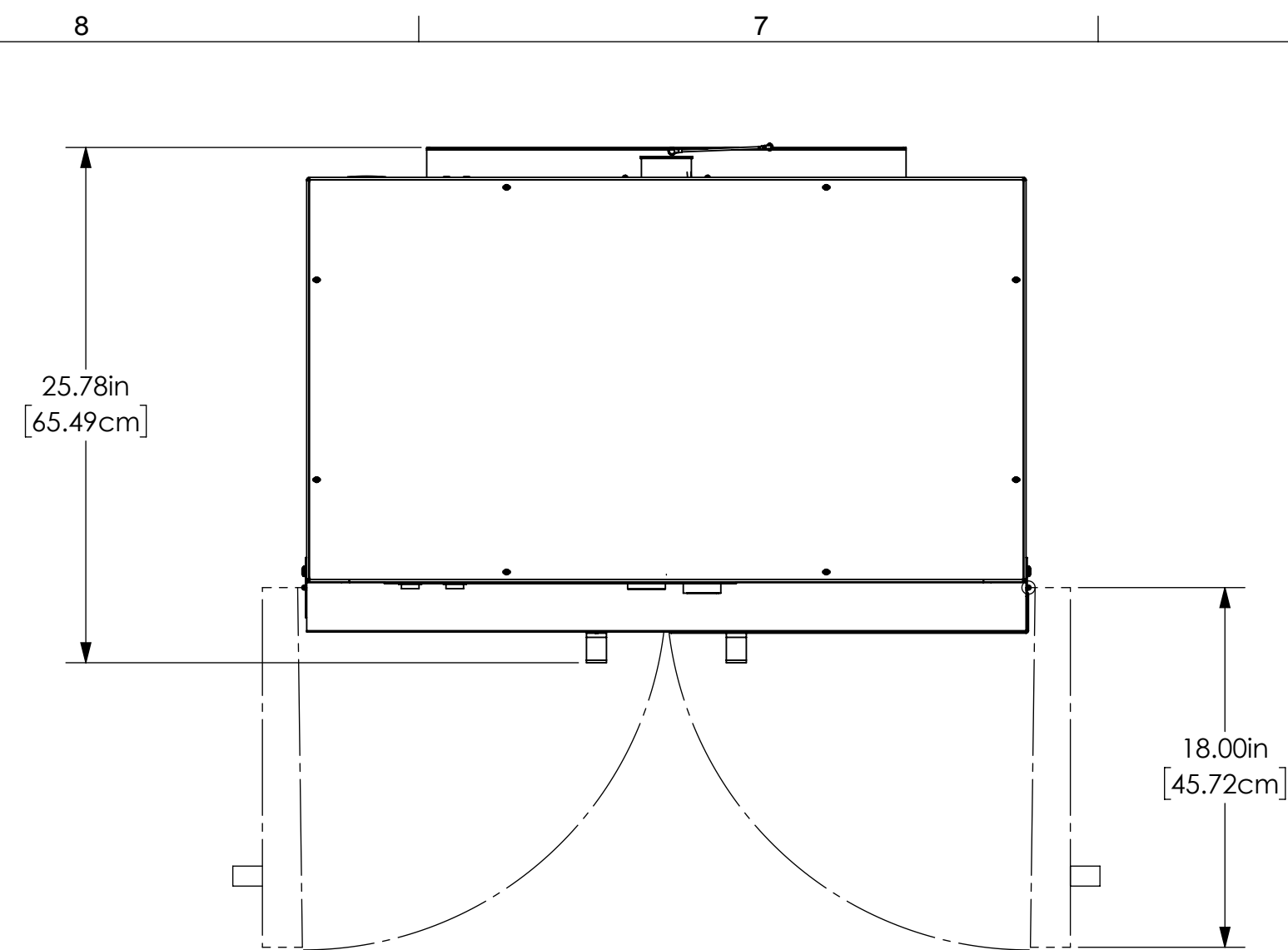
UNLESS OTHERWISE SPECIFIED DIMENSIONAL TOLERANCES

DECIMALS
.XX ± .030
.XXX ± .005

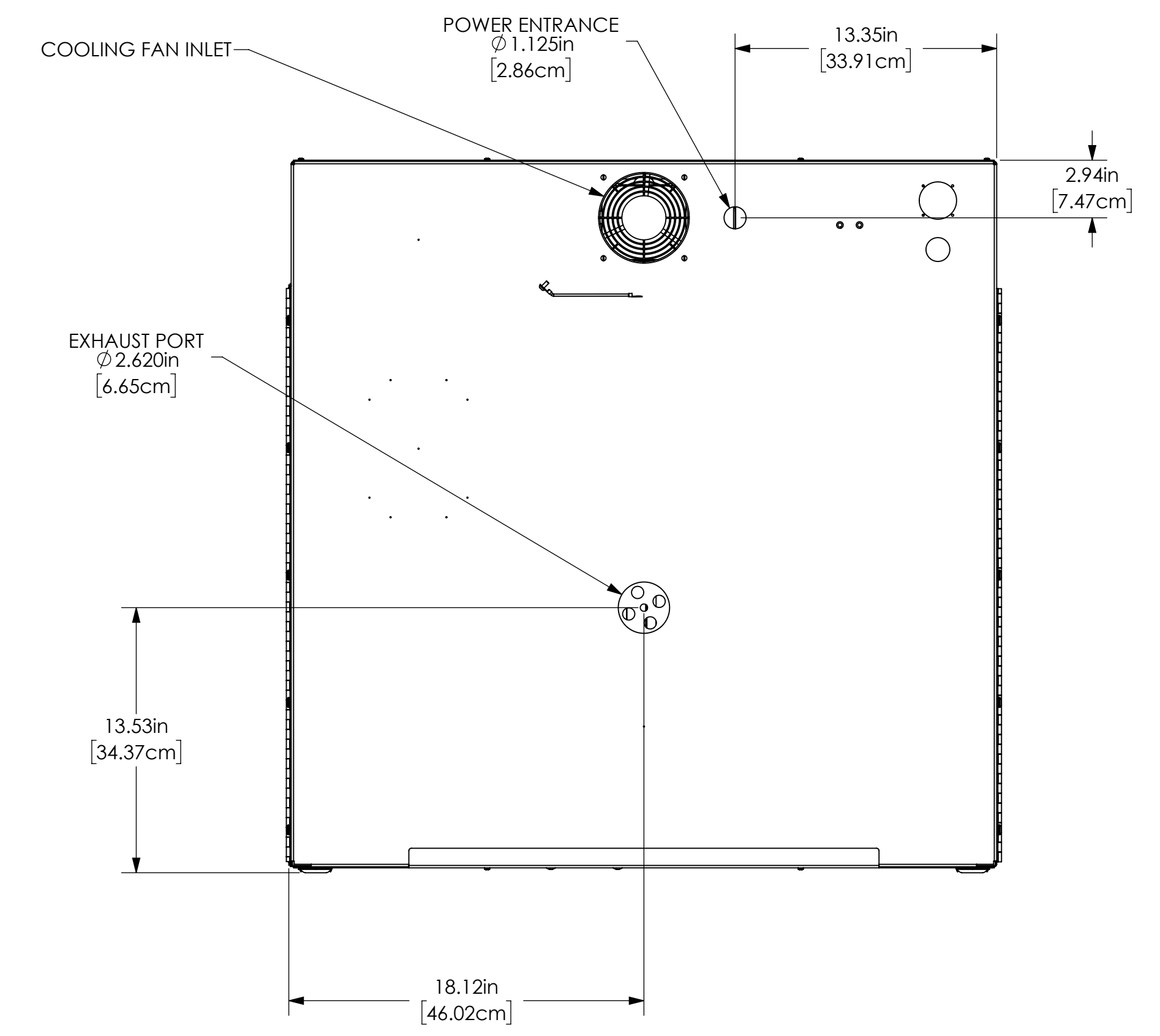
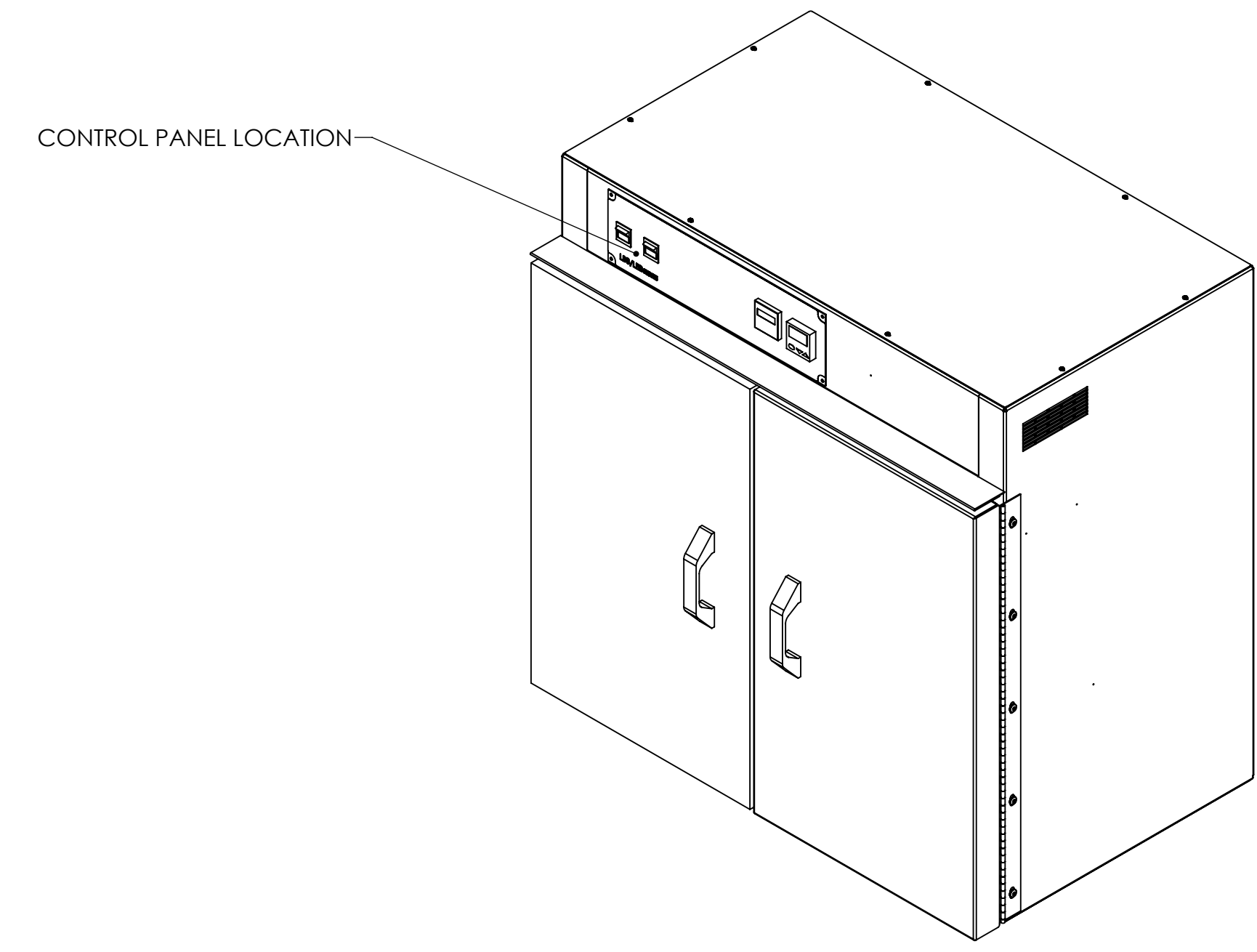
THE DESIGN SHOWN ON THIS DRAWING IS THE EXCLUSIVE PROPERTY OF DESPATCH INDUSTRIES. IT IS SUBMITTED WITH THE UNDERSTANDING THAT IT IS NOT TO BE USED FOR ANY PURPOSE OR ITS CONTENTS DISCLOSED WITHOUT THE WRITTEN CONSENT OF DESPATCH INDUSTRIES.

COPYRIGHT ©2014 DESPATCH INDUSTRIES

D	---	342154	C	2 of 2
SIZE	CODE	PART NUMBER	REV	SHT OF SHTS



SECTION A-A
SCALE 1 : 8



REV.	DATE	BY	DESCRIPTION	ECO #
C	12/12/2017	DLM	UPDATED DIMENSIONS	1700198

UNLESS OTHERWISE SPECIFIED DIMENSIONAL TOLERANCES
 DECIMALS .XX ± .030
 .XXX ± .005

THE DESIGN SHOWN ON THIS DRAWING IS THE EXCLUSIVE PROPERTY OF DESPATCH INDUSTRIES. IT IS SUBMITTED WITH THE UNDERSTANDING THAT IT IS NOT TO BE USED FOR ANY PURPOSE OR ITS CONTENTS DISCLOSED WITHOUT THE WRITTEN CONSENT OF DESPATCH INDUSTRIES.

COPYRIGHT ©2014 DESPATCH INDUSTRIES

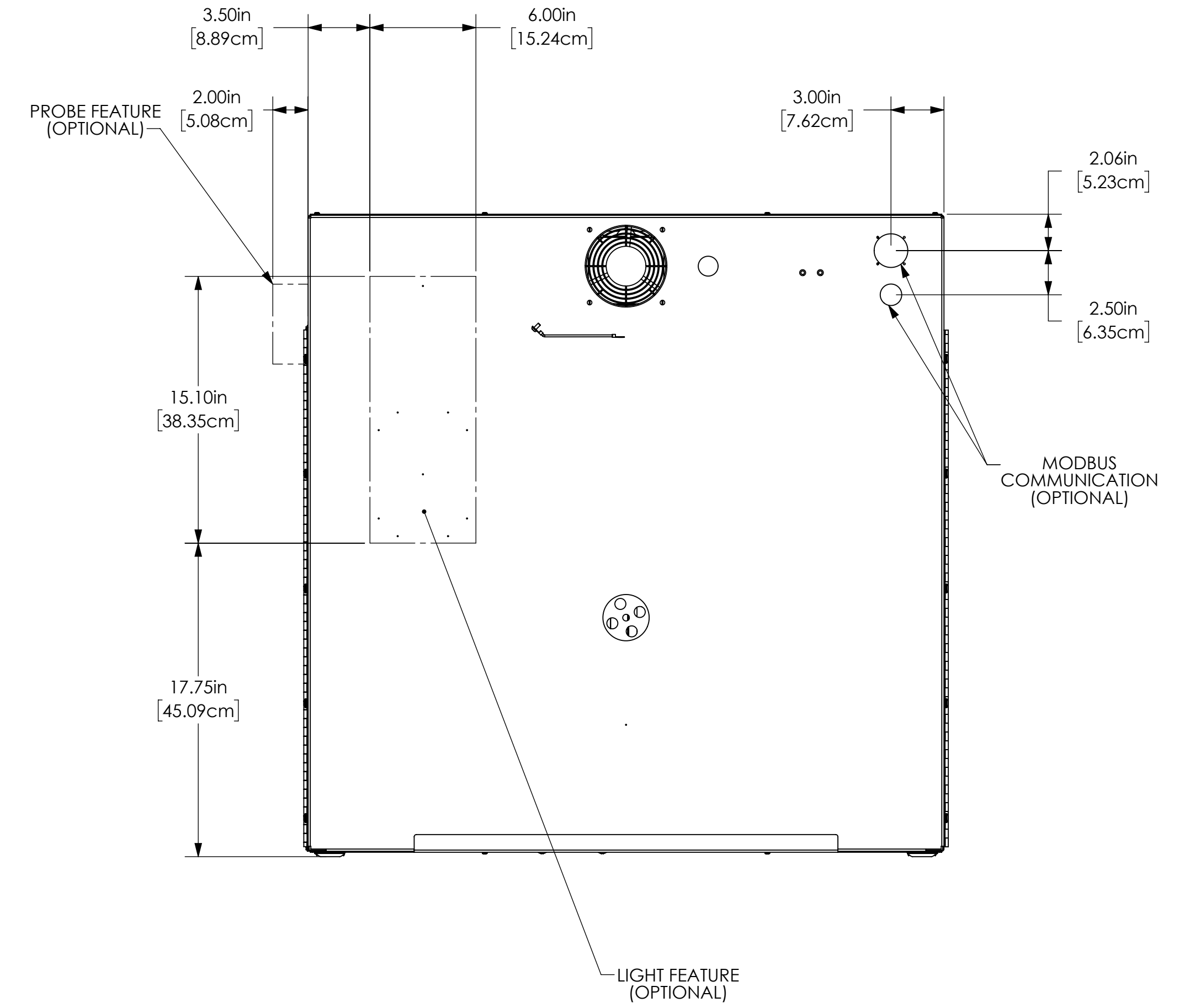
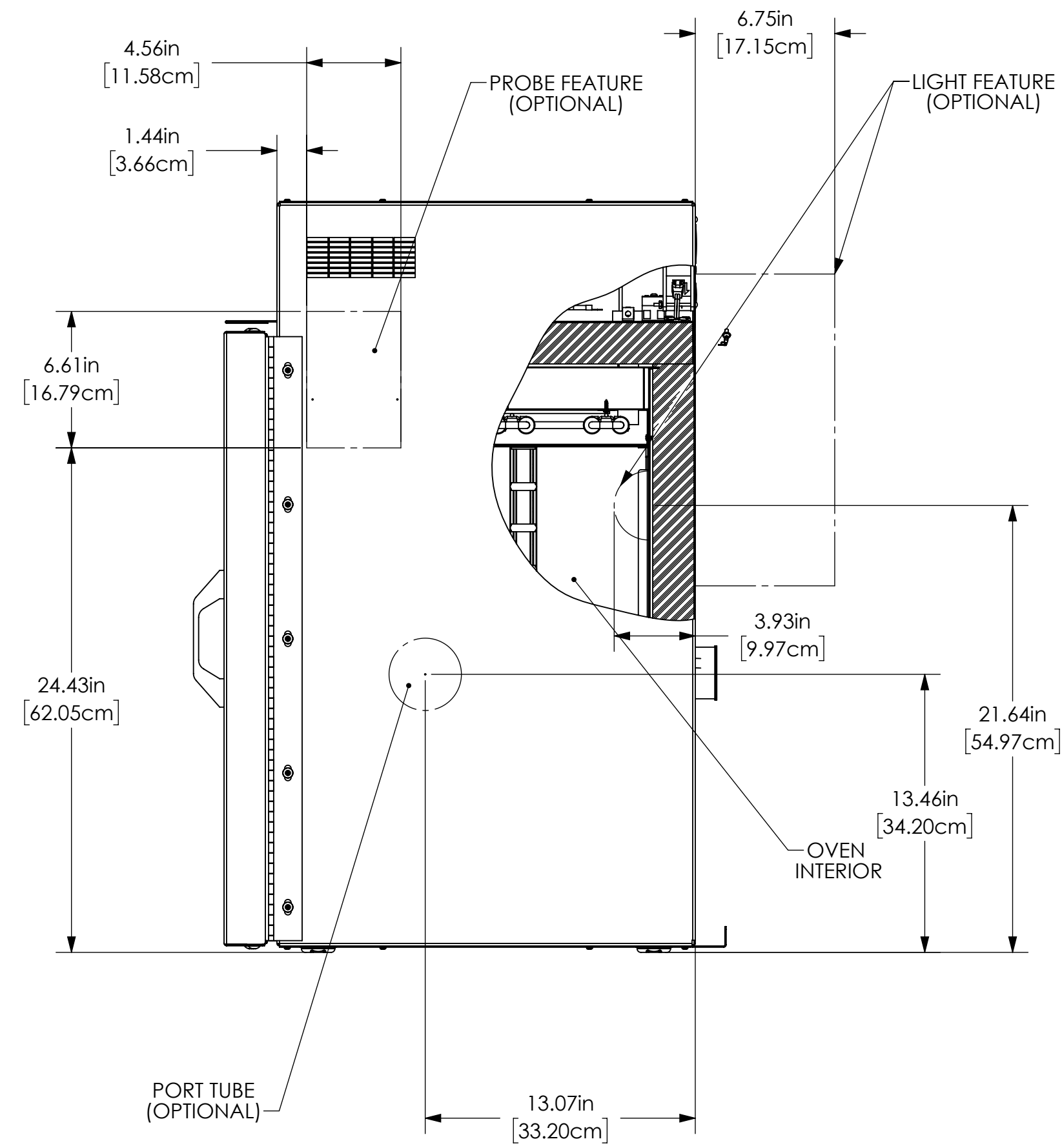
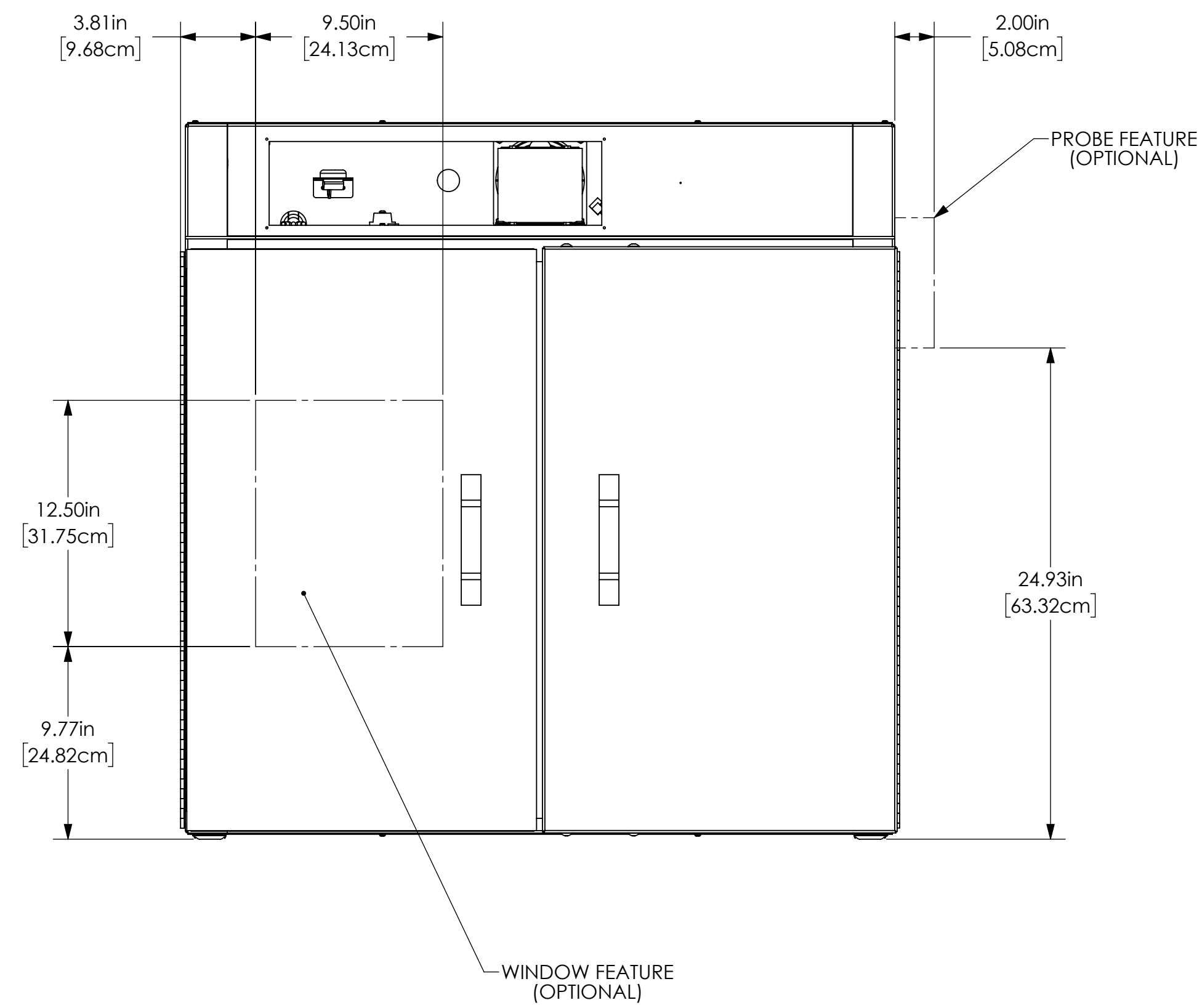
DR'N	BS	SCALE	1:16
CK'D	ERA	DATE	08/18/2014
APP	ERA	SMALLER TO	---

Despatch
 MINNEAPOLIS, MN LAKEVILLE, MN

LBB1-69-2 SALES PROPOSAL

D	---	342152	C	1 of 2
SIZE	CODE	PART NUMBER	REV	SHT OF SHITS

OPTIONAL ASSEMBLIES



DR'N	BS	SCALE	1:12
CK'D	ERA	DATE	08/18/2014
APP	ERA	SMALLER TO	---

Despatch
MINNEAPOLIS, MN LAKEVILLE, MN

LBB1-69-2 SALES PROPOSAL

UNLESS OTHERWISE SPECIFIED DIMENSIONAL TOLERANCES

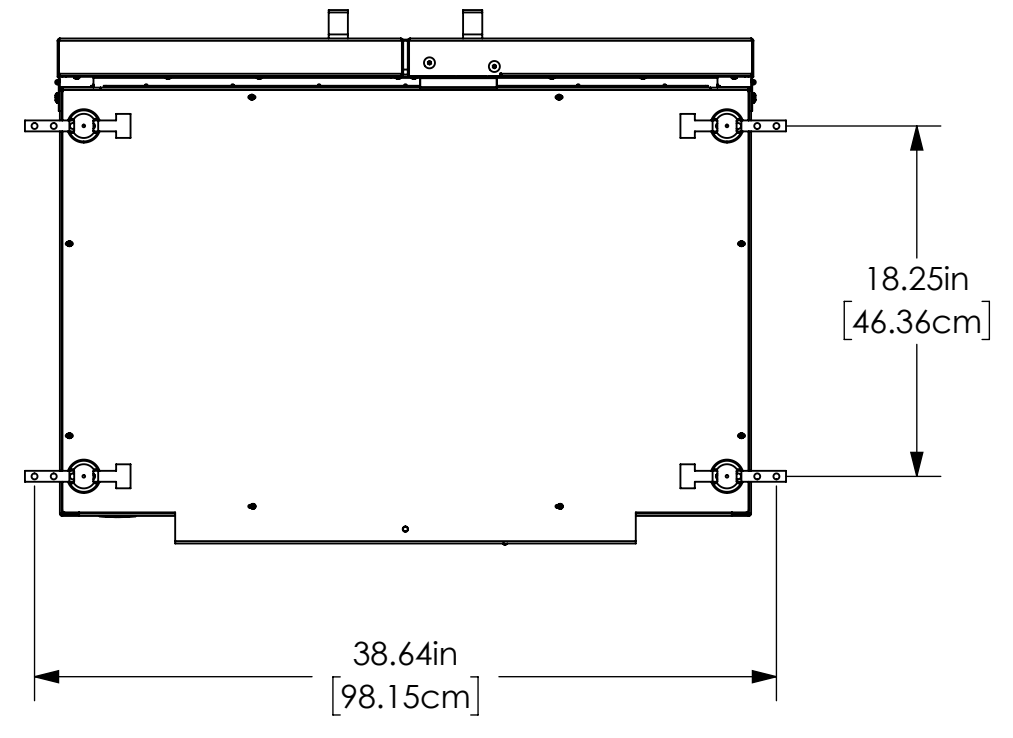
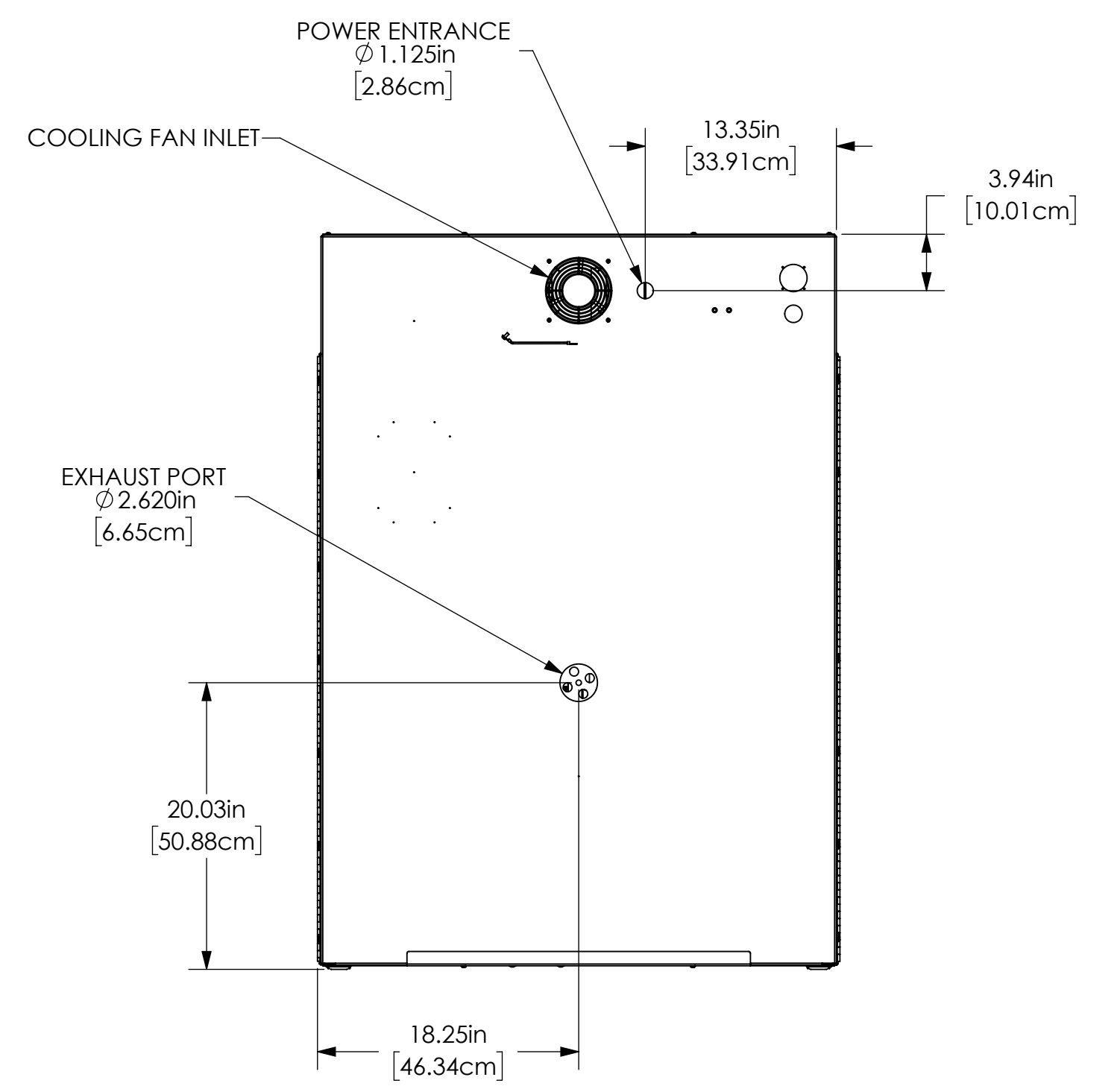
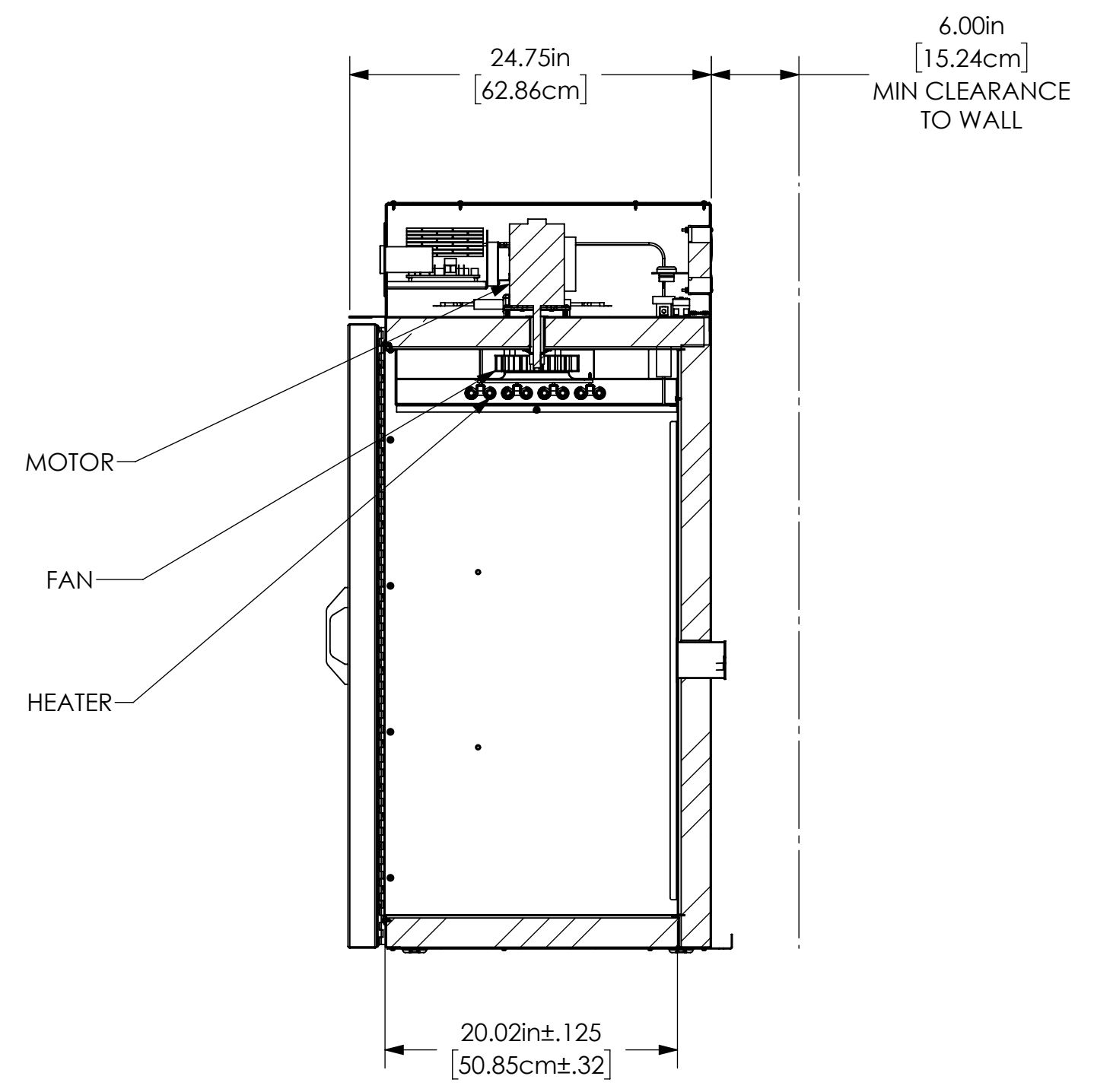
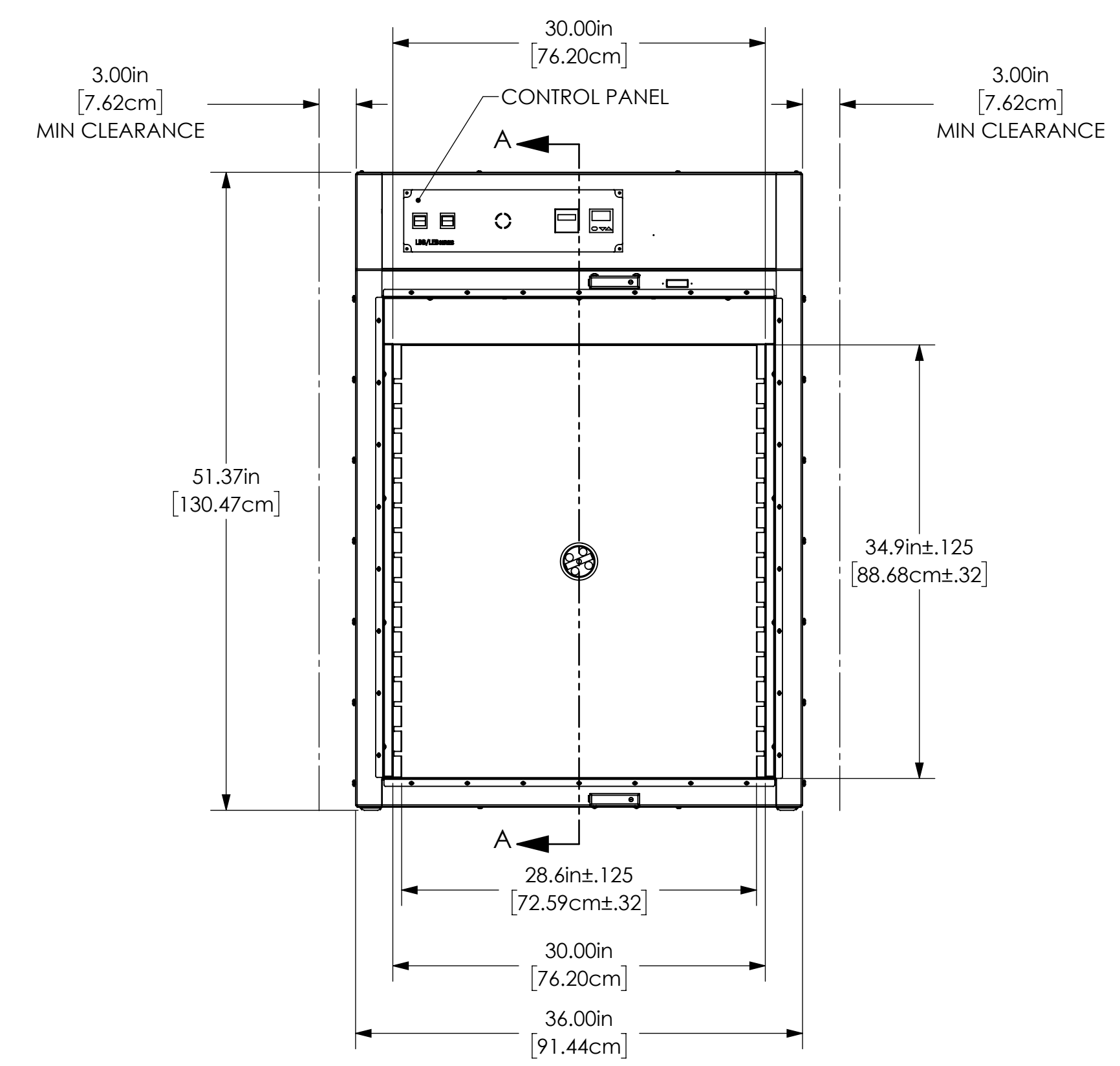
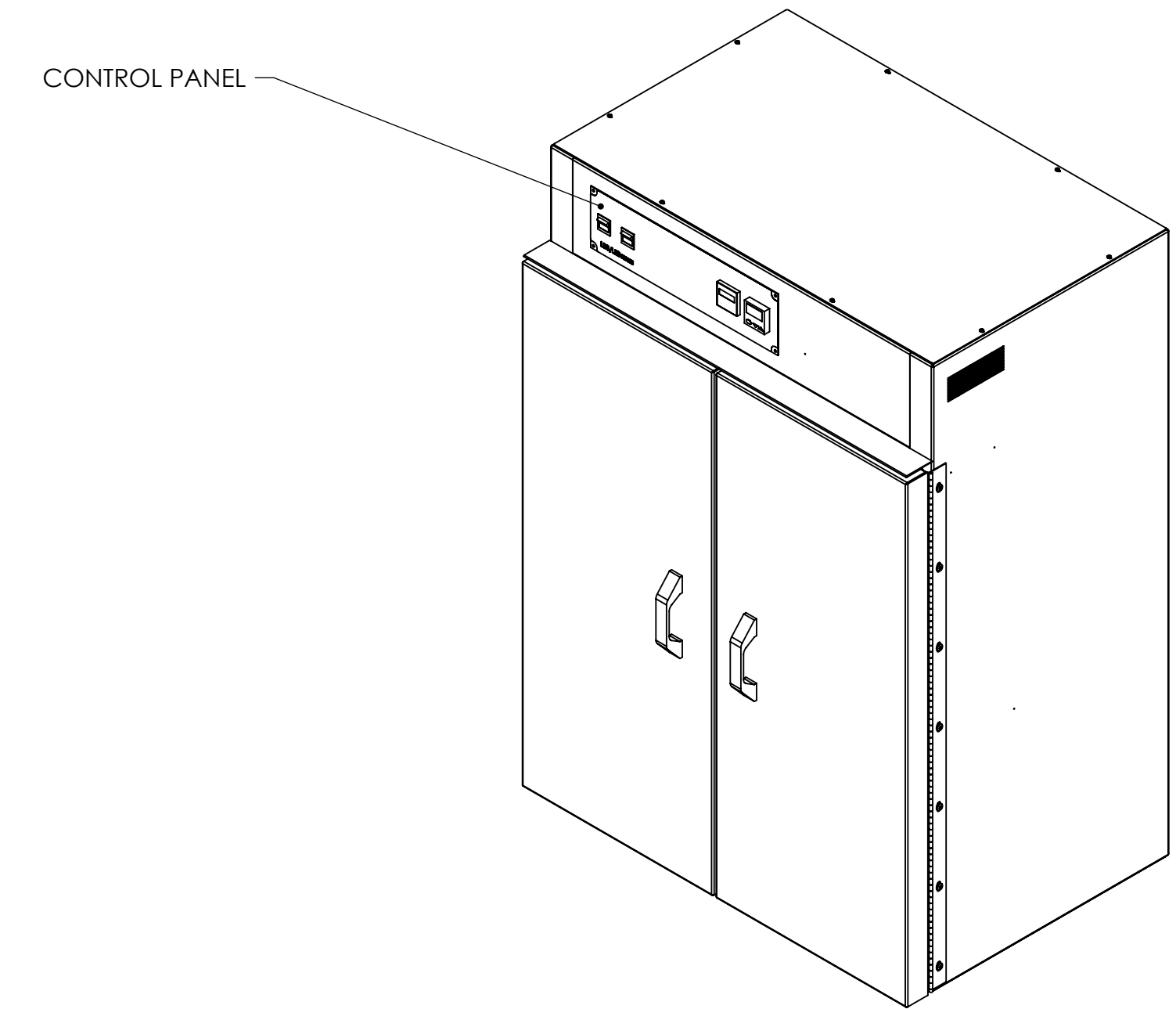
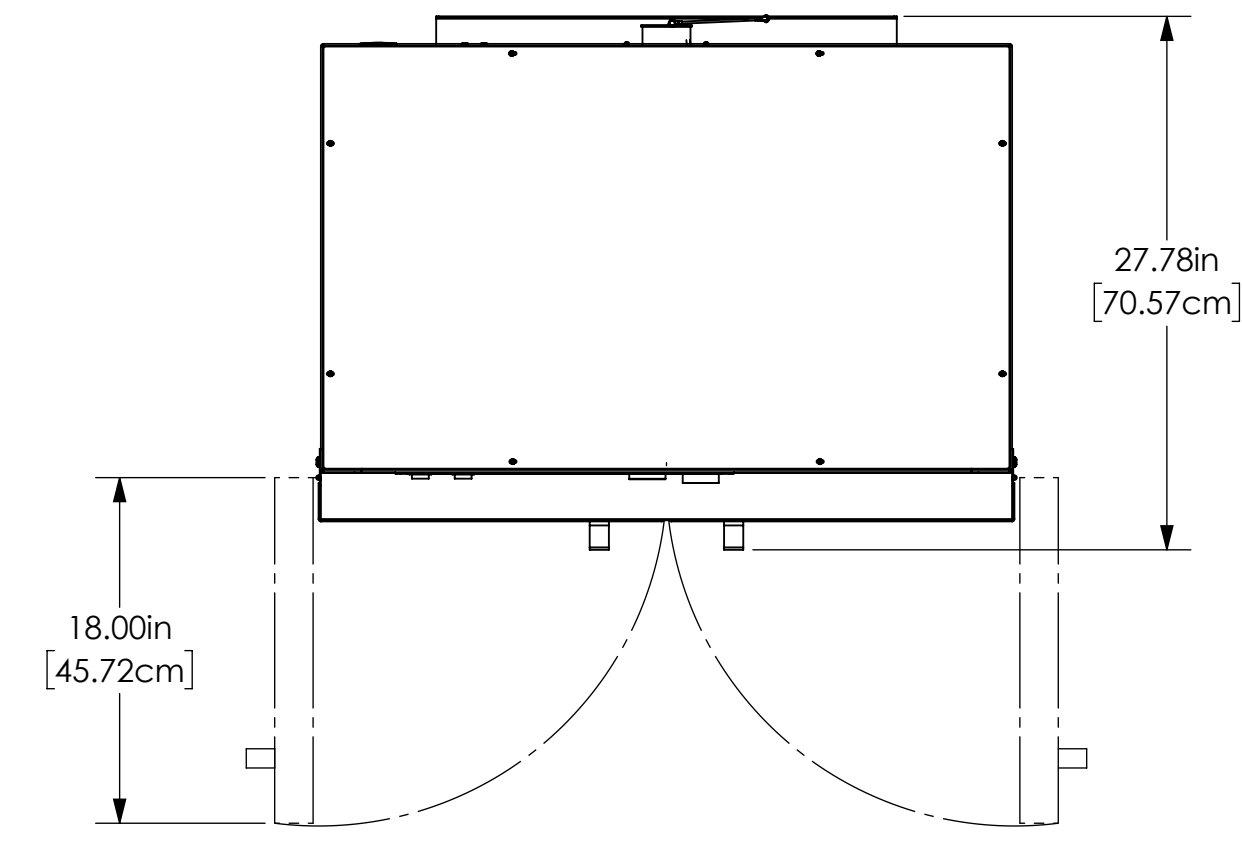
DECIMALS
.XX ± .030
.XXX ± .005

THE DESIGN SHOWN ON THIS DRAWING IS THE EXCLUSIVE PROPERTY OF DESPATCH INDUSTRIES. IT IS SUBMITTED WITH THE UNDERSTANDING THAT IT IS NOT TO BE USED FOR ANY PURPOSE OR ITS CONTENTS DISCLOSED WITHOUT THE WRITTEN CONSENT OF DESPATCH INDUSTRIES.

COPYRIGHT ©2014 DESPATCH INDUSTRIES

D	---	342152	C	2 of 2
SIZE	CODE	PART NUMBER	REV	SHT OF SHTS

8 7 6 5 4 3 2 1



SECTION A-A
SCALE 1 : 10

DR'N	BS	SCALE	1:12
CK'D	ERA	DATE	08/18/2014
APP	ERA	SMALLER TO	---

Despatch
MINNEAPOLIS, MN • LAKEVILLE, MN

LBB2-12-2 SALES PROPOSAL

C	12/12/2017	DLM	UPDATED DIMENSIONS	1700198
REV.	DATE	BY	DESCRIPTION	ECO #

UNLESS OTHERWISE SPECIFIED DIMENSIONAL TOLERANCES
DECIMALS .XX ± .030
.XXX ± .005

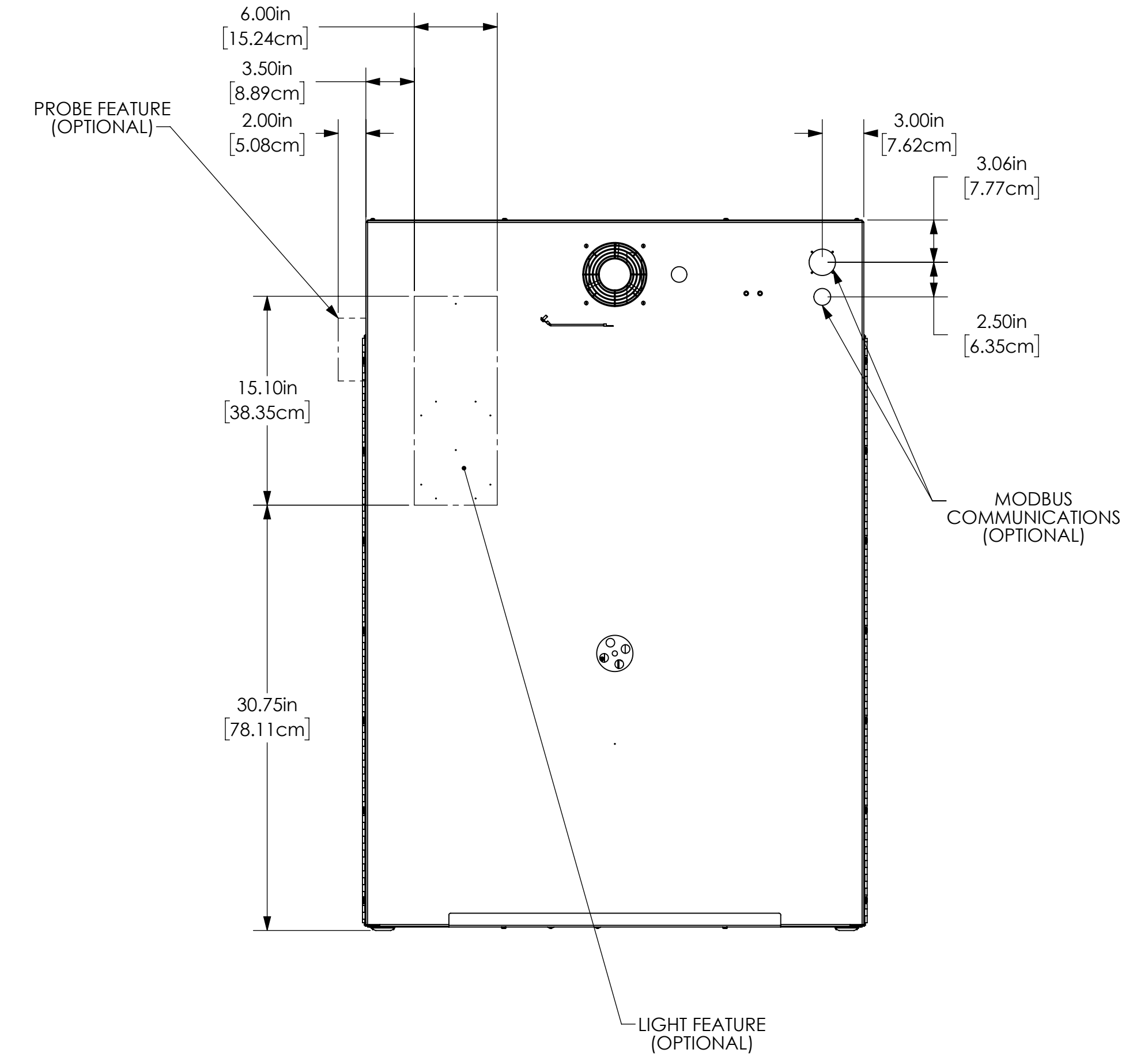
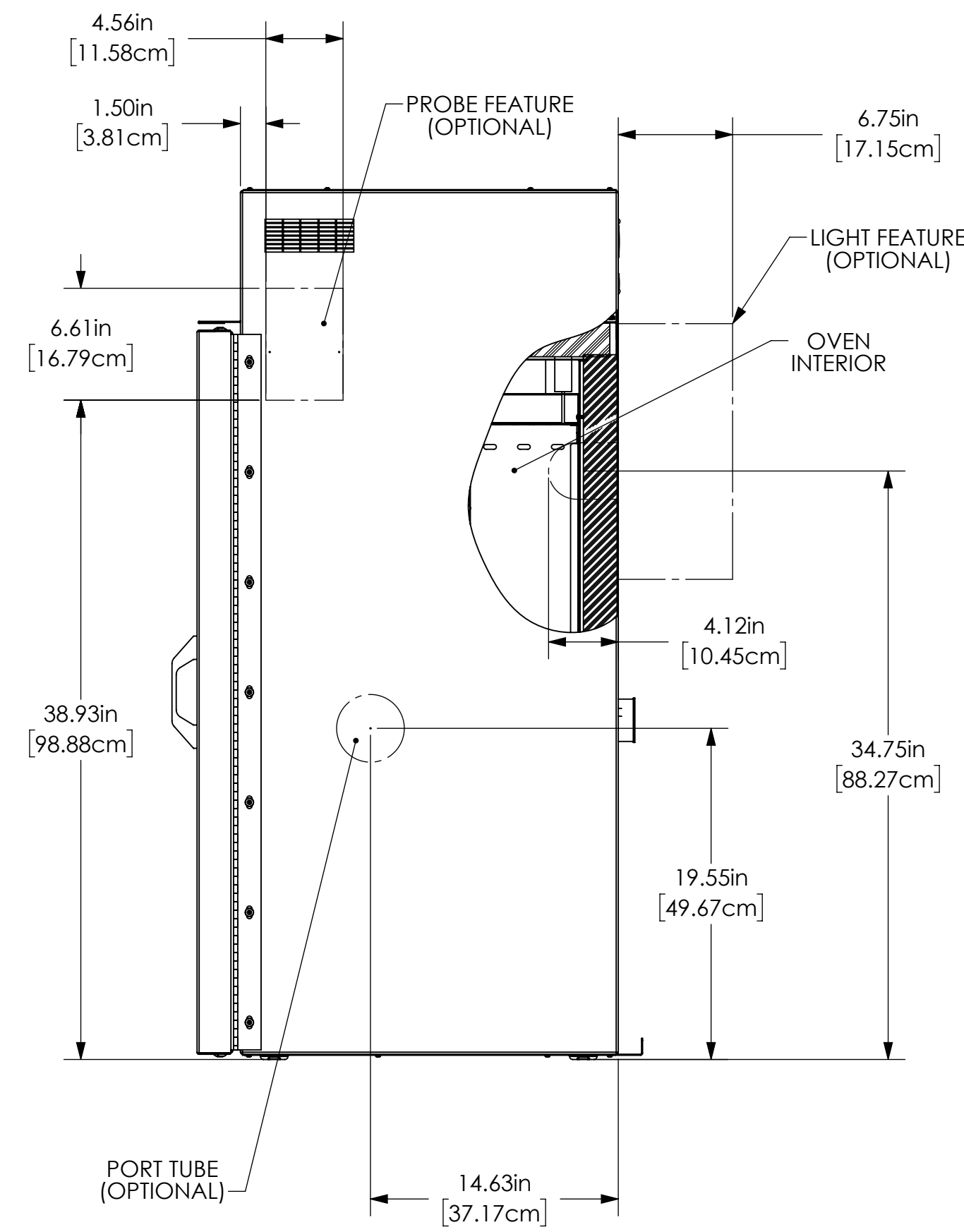
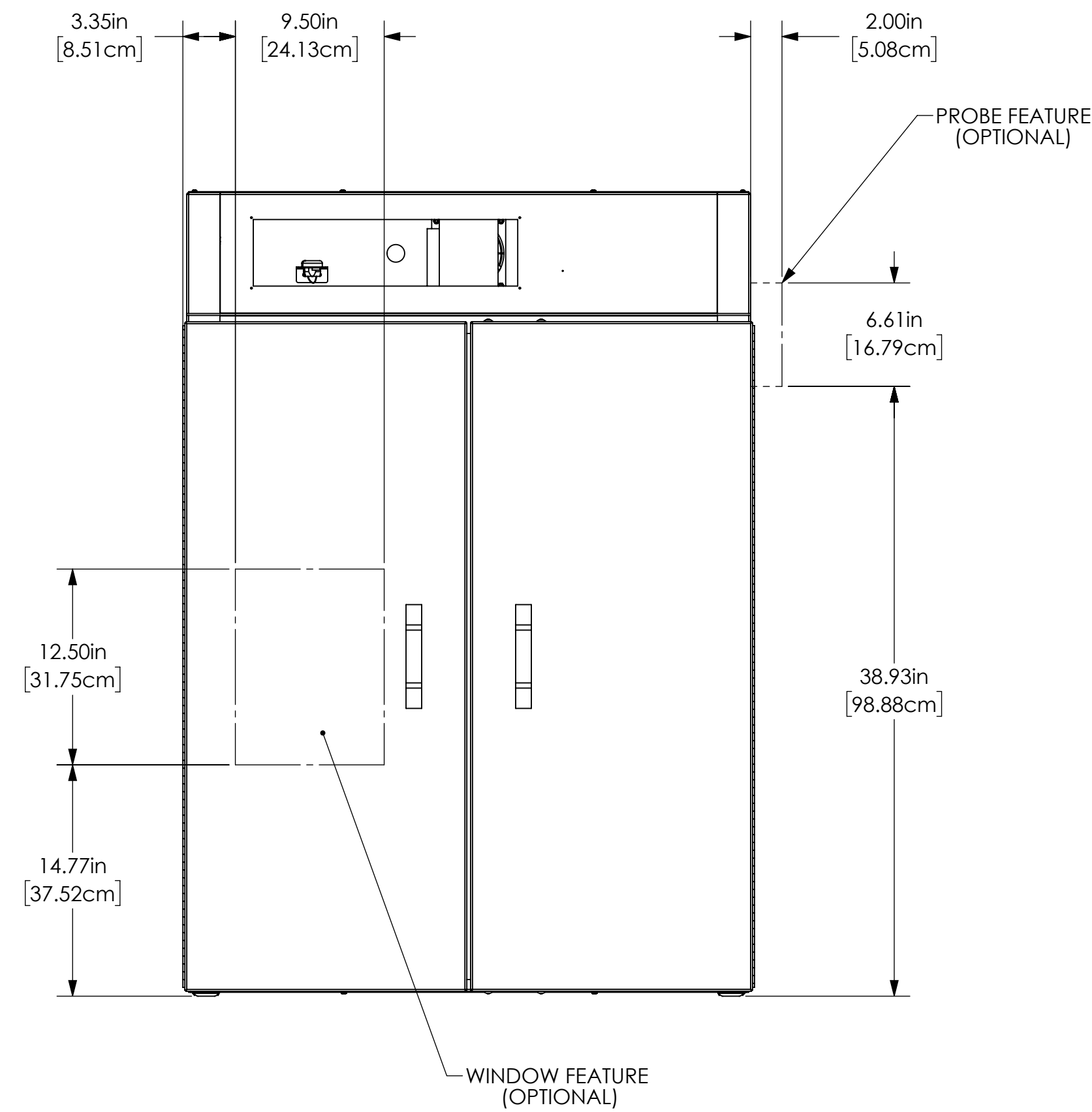
THE DESIGN SHOWN ON THIS DRAWING IS THE EXCLUSIVE PROPERTY OF DESPATCH INDUSTRIES. IT IS SUBMITTED WITH THE UNDERSTANDING THAT IT IS NOT TO BE USED FOR ANY PURPOSE OR ITS CONTENTS DISCLOSED WITHOUT THE WRITTEN CONSENT OF DESPATCH INDUSTRIES.

COPYRIGHT ©2014 DESPATCH INDUSTRIES

D	---	342147	C	1 of 2
SIZE	CODE	PART NUMBER	REV	SHT OF SHITS

8 7 6 5 4 3 2 1

OPTIONAL ASSEMBLIES



DR'N	BS	SCALE	1:12
CK'D	ERA	DATE	08/18/2014
APP	ERA	SMALLER TO	---

Despatch
MINNEAPOLIS, MN • LAKEVILLE, MN

LBB2-12-2 SALES PROPOSAL

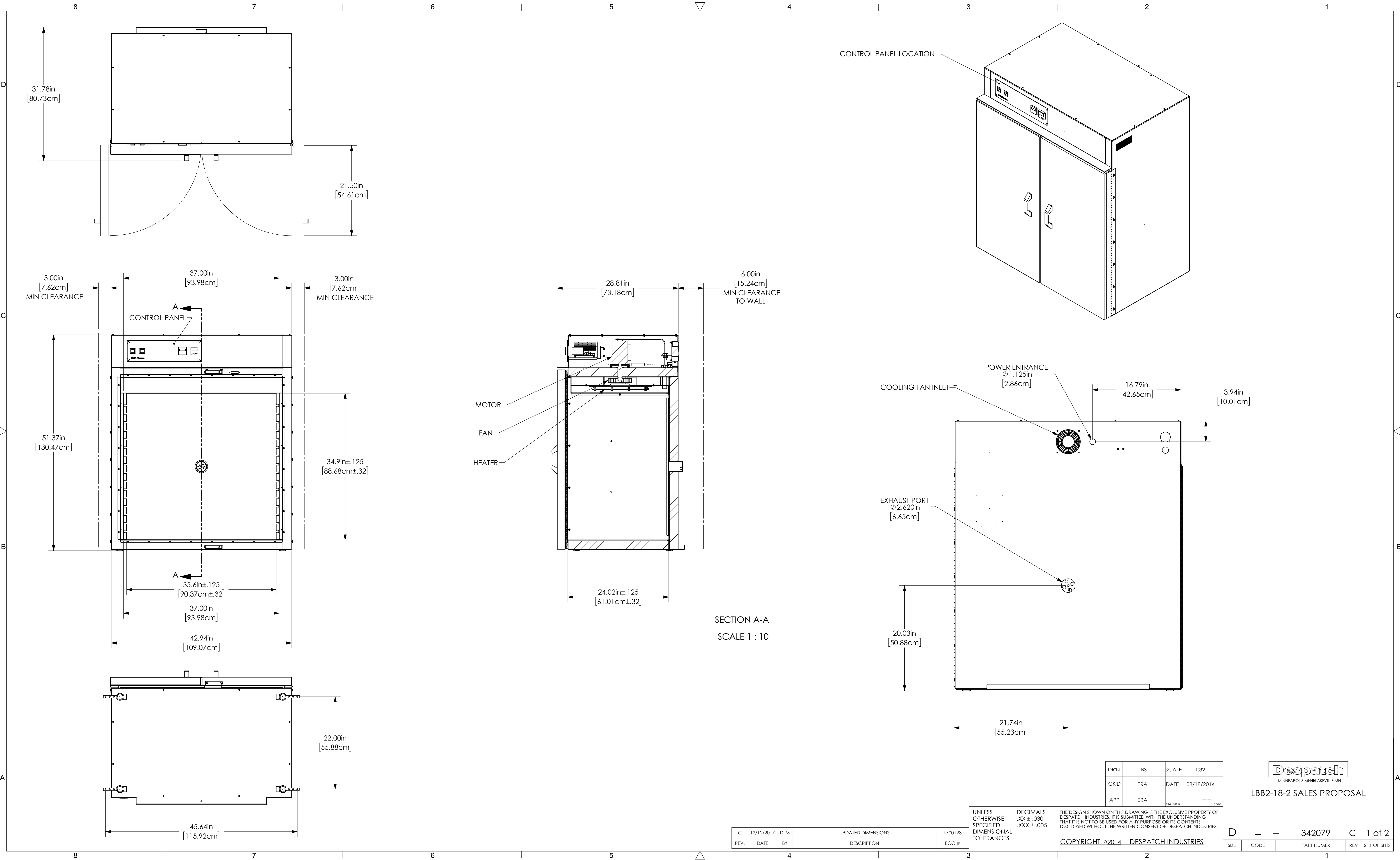
UNLESS OTHERWISE SPECIFIED DIMENSIONAL TOLERANCES

DECIMALS
.XX ± .030
.XXX ± .005

THE DESIGN SHOWN ON THIS DRAWING IS THE EXCLUSIVE PROPERTY OF DESPATCH INDUSTRIES. IT IS SUBMITTED WITH THE UNDERSTANDING THAT IT IS NOT TO BE USED FOR ANY PURPOSE OR ITS CONTENTS DISCLOSED WITHOUT THE WRITTEN CONSENT OF DESPATCH INDUSTRIES.

COPYRIGHT ©2014 DESPATCH INDUSTRIES

D	---	342147	C	2 of 2
SIZE	CODE	PART NUMBER	REV	SHT OF SHTS



SECTION A-A
SCALE 1 : 10

DR'N	BS	SCALE	1:32
CK'D	ERA	DATE	08/18/2014
APP	ERA	SMALLER TO	---

Despatch
MINNEAPOLIS, MN • LAKEVILLE, MN

LBB2-18-2 SALES PROPOSAL

UNLESS OTHERWISE SPECIFIED DIMENSIONAL TOLERANCES

DECIMALS
.XX ± .030
.XXX ± .005

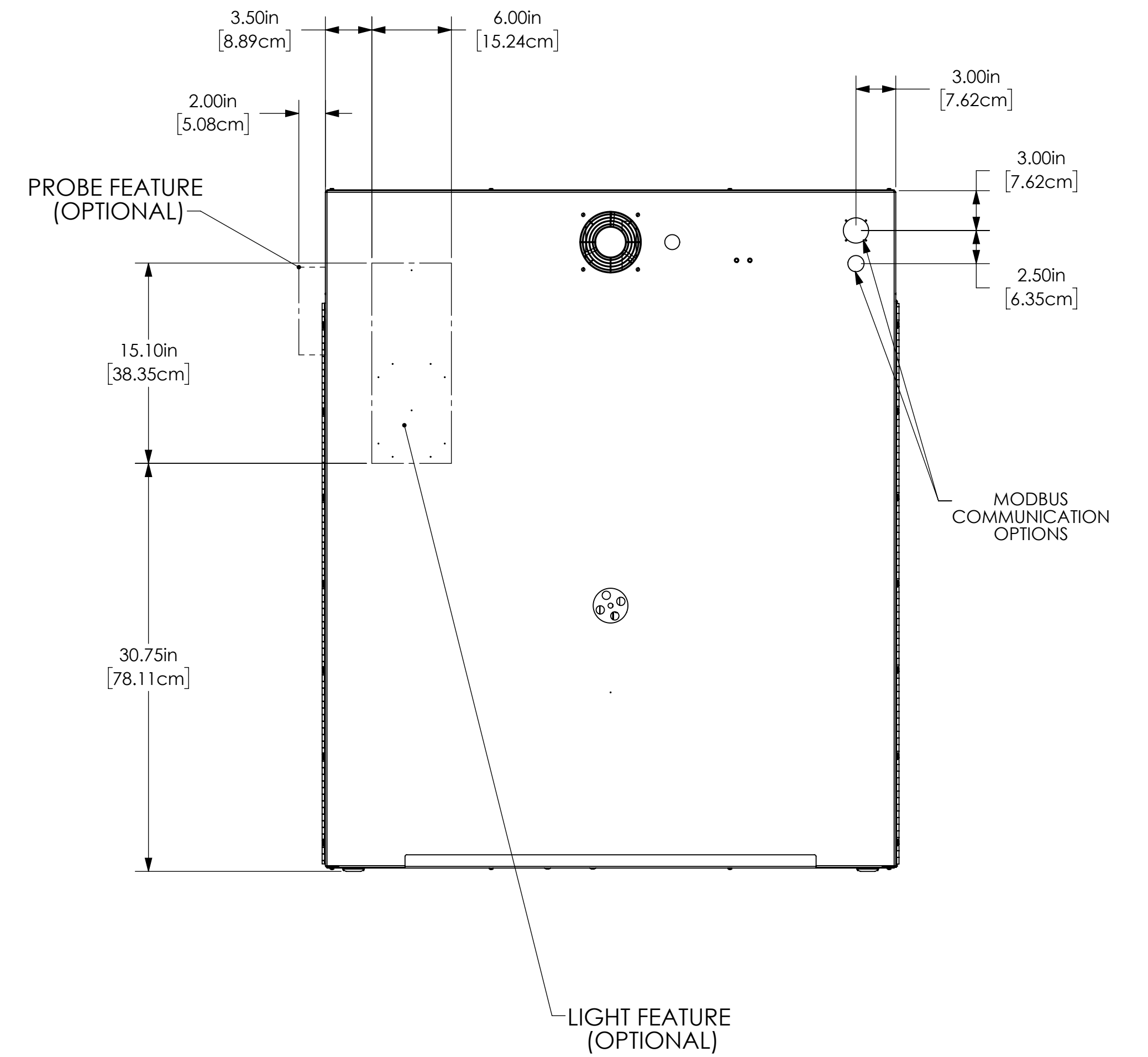
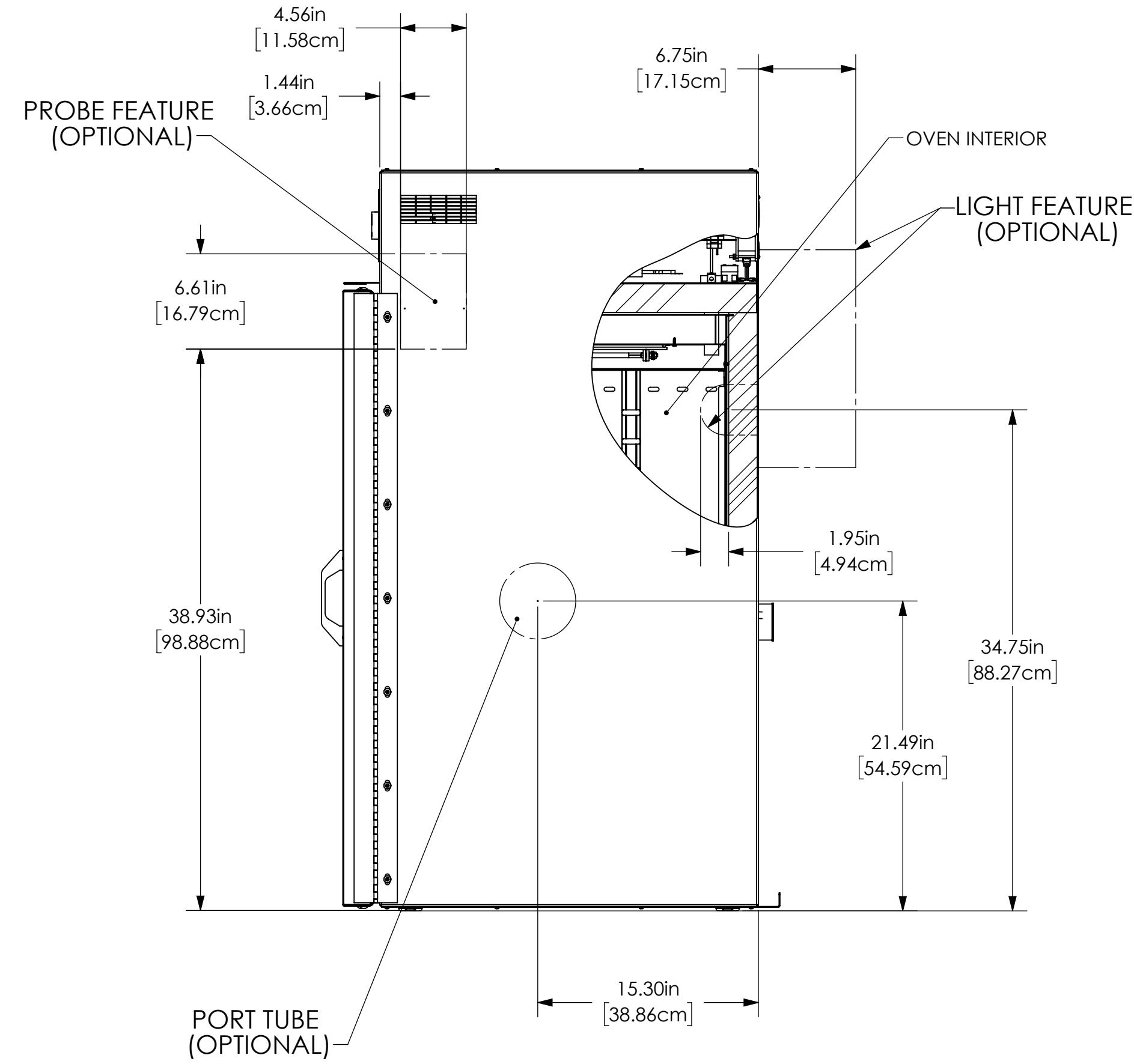
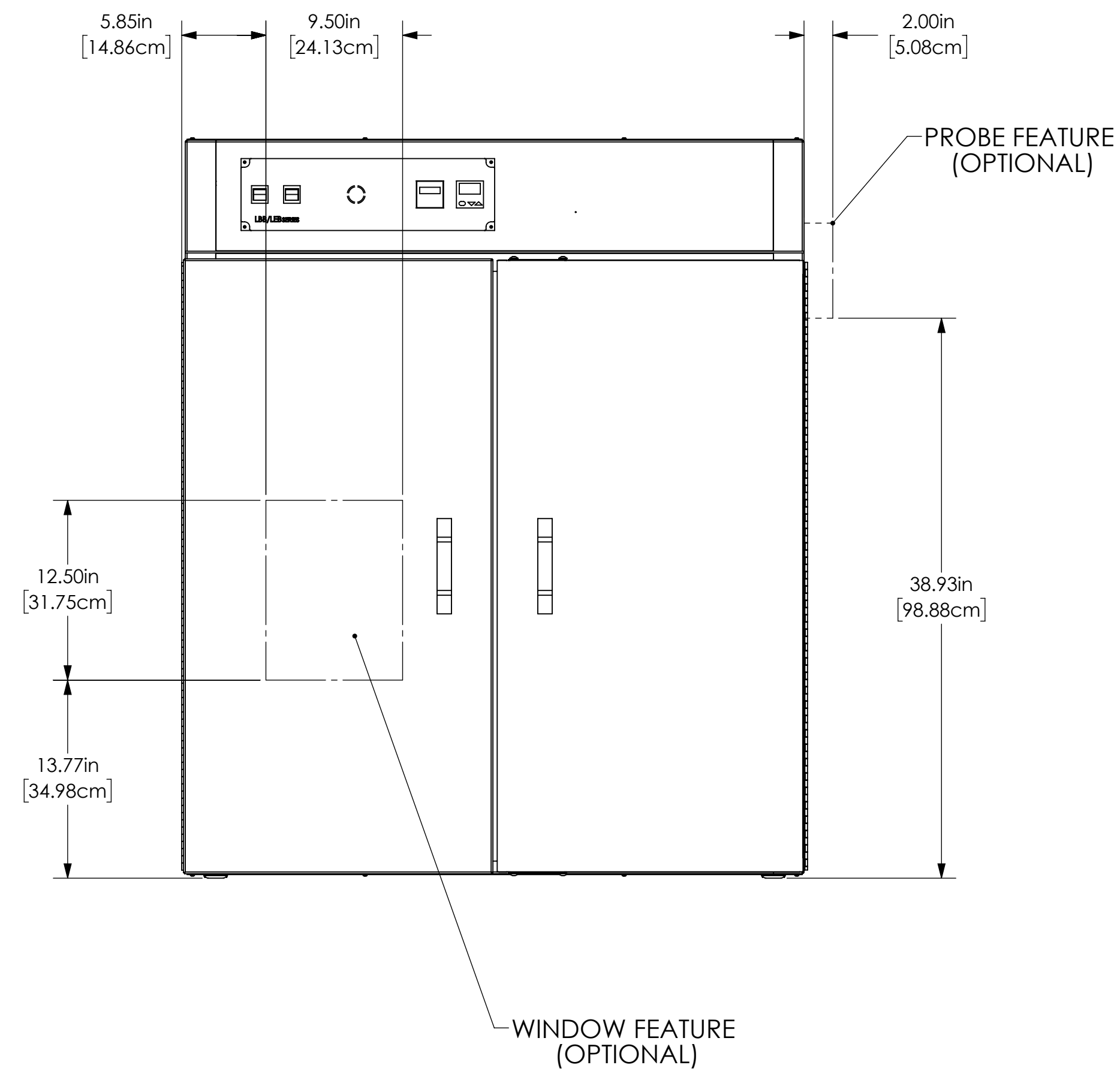
THE DESIGN SHOWN ON THIS DRAWING IS THE EXCLUSIVE PROPERTY OF DESPATCH INDUSTRIES. IT IS SUBMITTED WITH THE UNDERSTANDING THAT IT IS NOT TO BE USED FOR ANY PURPOSE OR ITS CONTENTS DISCLOSED WITHOUT THE WRITTEN CONSENT OF DESPATCH INDUSTRIES.

COPYRIGHT ©2014 DESPATCH INDUSTRIES

C	12/12/2017	DLM	UPDATED DIMENSIONS	1700198
REV.	DATE	BY	DESCRIPTION	ECO #

D	---	342079	C	1 of 2
SIZE	CODE	PART NUMBER	REV	SHT OF SHITS

OPTIONAL ASSEMBLIES



DR'N	BS	SCALE	1:12
CK'D	ERA	DATE	08/18/2014
APP	ERA	DATE	--



LBB2-18-2 SALES PROPOSAL

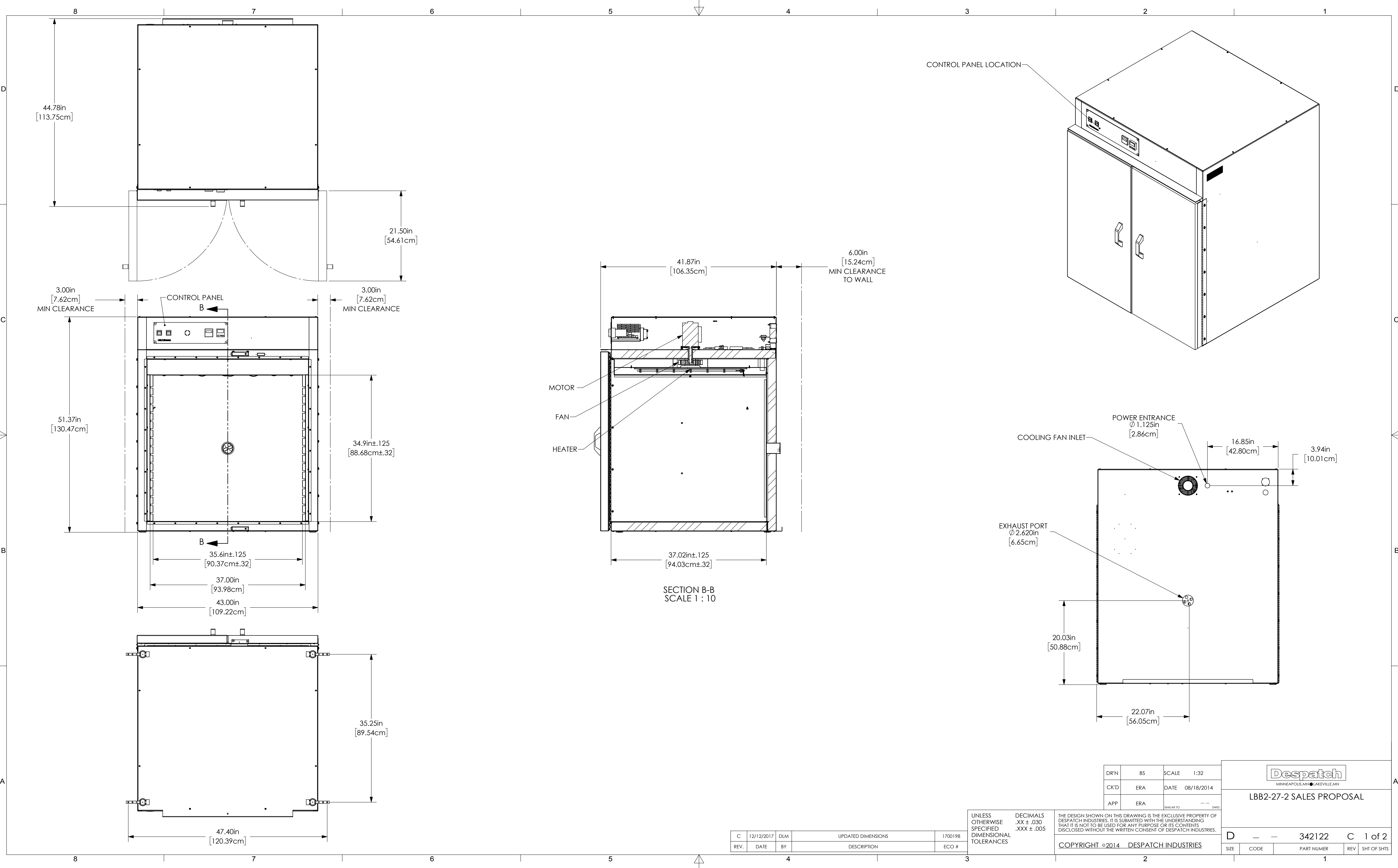
UNLESS OTHERWISE SPECIFIED DIMENSIONAL TOLERANCES

DECIMALS
XX ± .030
.XXX ± .005

THE DESIGN SHOWN ON THIS DRAWING IS THE EXCLUSIVE PROPERTY OF DESPATCH INDUSTRIES. IT IS SUBMITTED WITH THE UNDERSTANDING THAT IT IS NOT TO BE USED FOR ANY PURPOSE OR ITS CONTENTS DISCLOSED WITHOUT THE WRITTEN CONSENT OF DESPATCH INDUSTRIES.

COPYRIGHT ©2014 DESPATCH INDUSTRIES

D	--	342079	C	2 of 2
SIZE	CODE	PART NUMBER	REV	SHT OF SHTS



44.78in
[113.75cm]

21.50in
[54.61cm]

3.00in
[7.62cm]
MIN CLEARANCE

CONTROL PANEL
B

3.00in
[7.62cm]
MIN CLEARANCE

51.37in
[130.47cm]

34.9in±.125
[88.68cm±.32]

35.6in±.125
[90.37cm±.32]

37.00in
[93.98cm]

43.00in
[109.22cm]

35.25in
[89.54cm]

47.40in
[120.39cm]

41.87in
[106.35cm]

6.00in
[15.24cm]
MIN CLEARANCE
TO WALL

MOTOR
FAN
HEATER

SECTION B-B
SCALE 1 : 10

37.02in±.125
[94.03cm±.32]

CONTROL PANEL LOCATION

POWER ENTRANCE
∅ 1.125in
[2.86cm]

16.85in
[42.80cm]

3.94in
[10.01cm]

EXHAUST PORT
∅ 2.620in
[6.65cm]

20.03in
[50.88cm]

22.07in
[56.05cm]

DR'N	BS	SCALE	1:32
CK'D	ERA	DATE	08/18/2014
APP	ERA	SMALLER TO	---

Despatch
MINNEAPOLIS, MN • LAKEVILLE, MN

LBB2-27-2 SALES PROPOSAL

D --- 342122 C 1 of 2
SIZE CODE PART NUMBER REV SHT OF SHTS

C	12/12/2017	DLM	UPDATED DIMENSIONS	1700198
REV.	DATE	BY	DESCRIPTION	ECO #

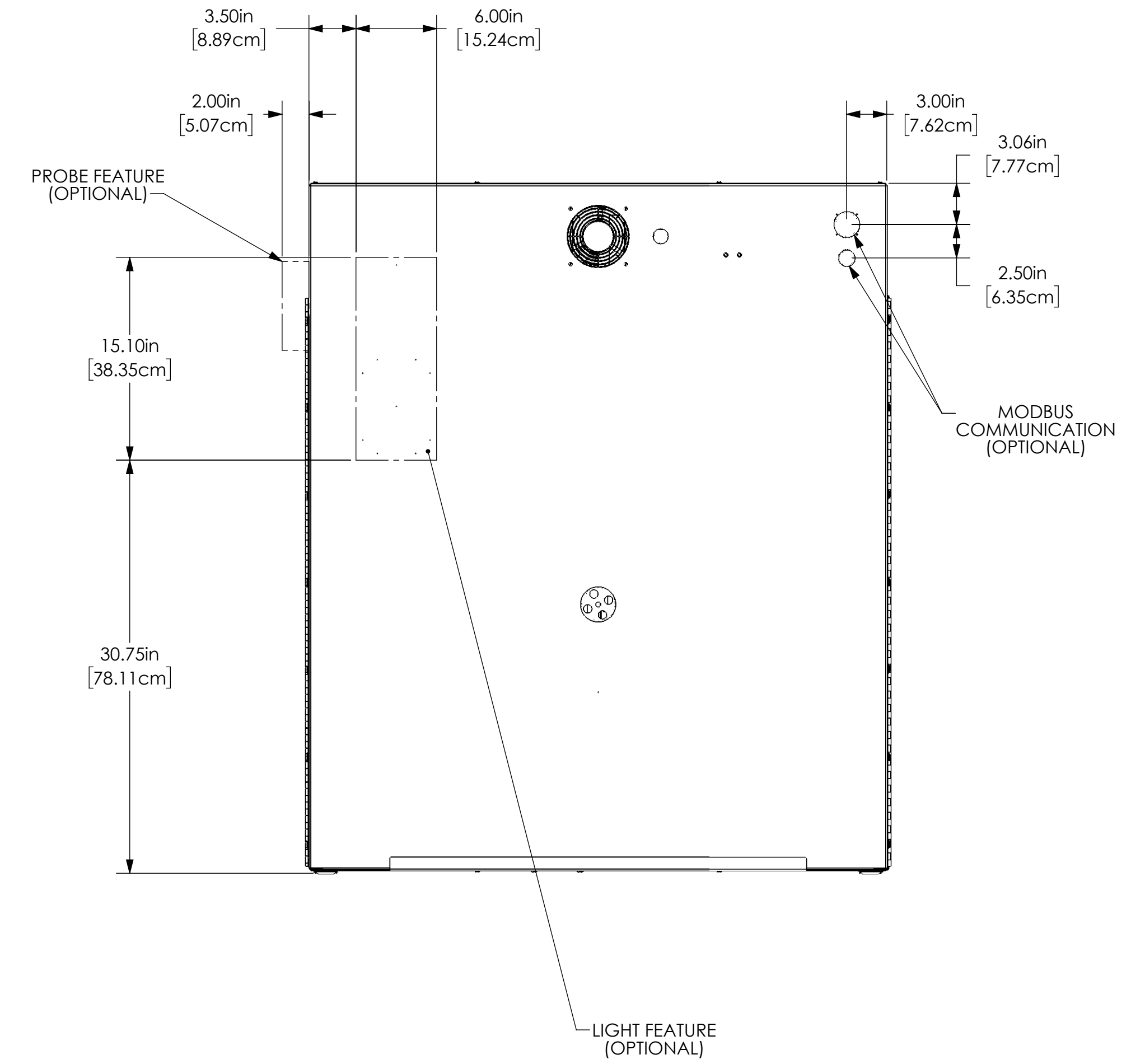
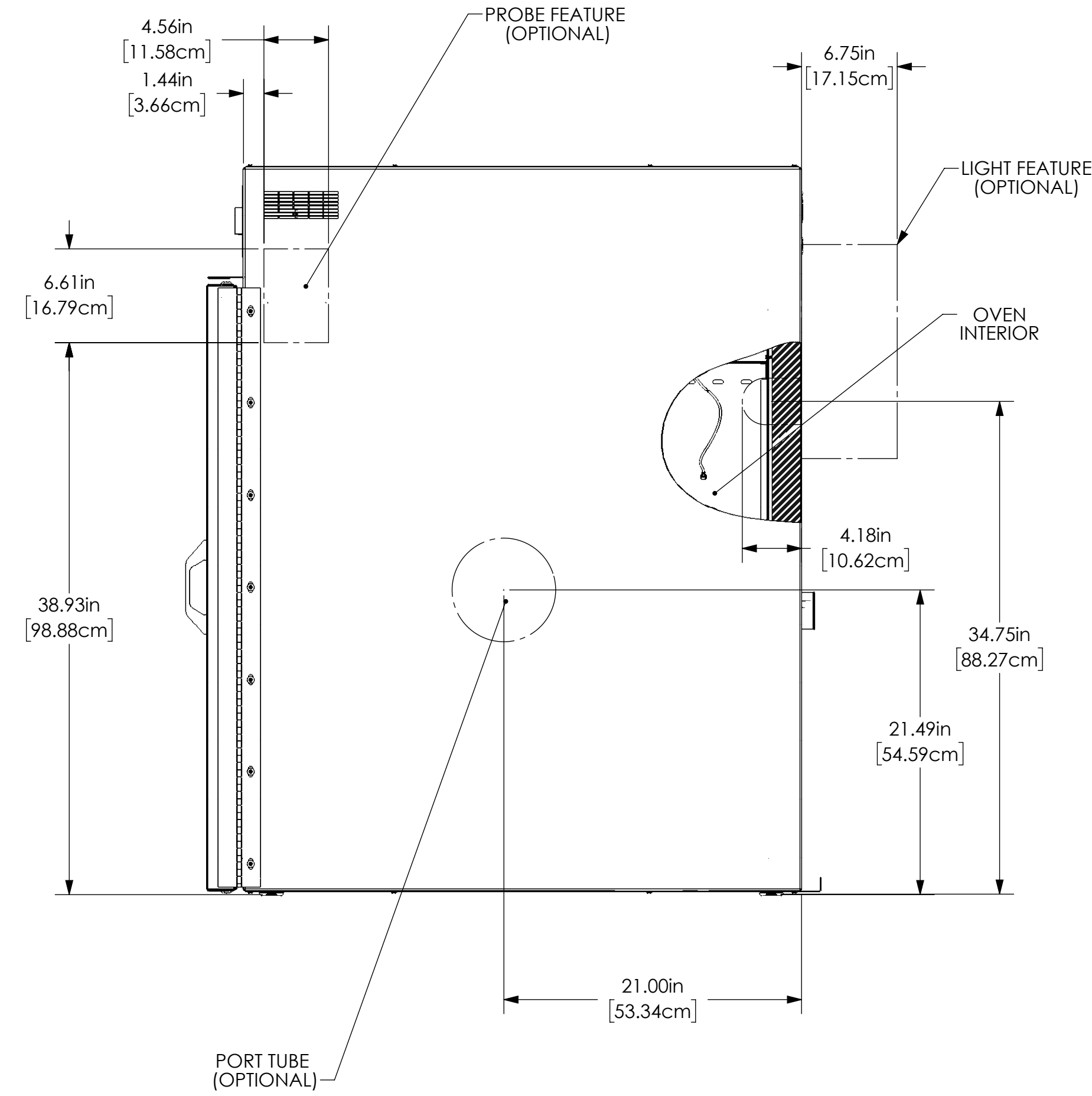
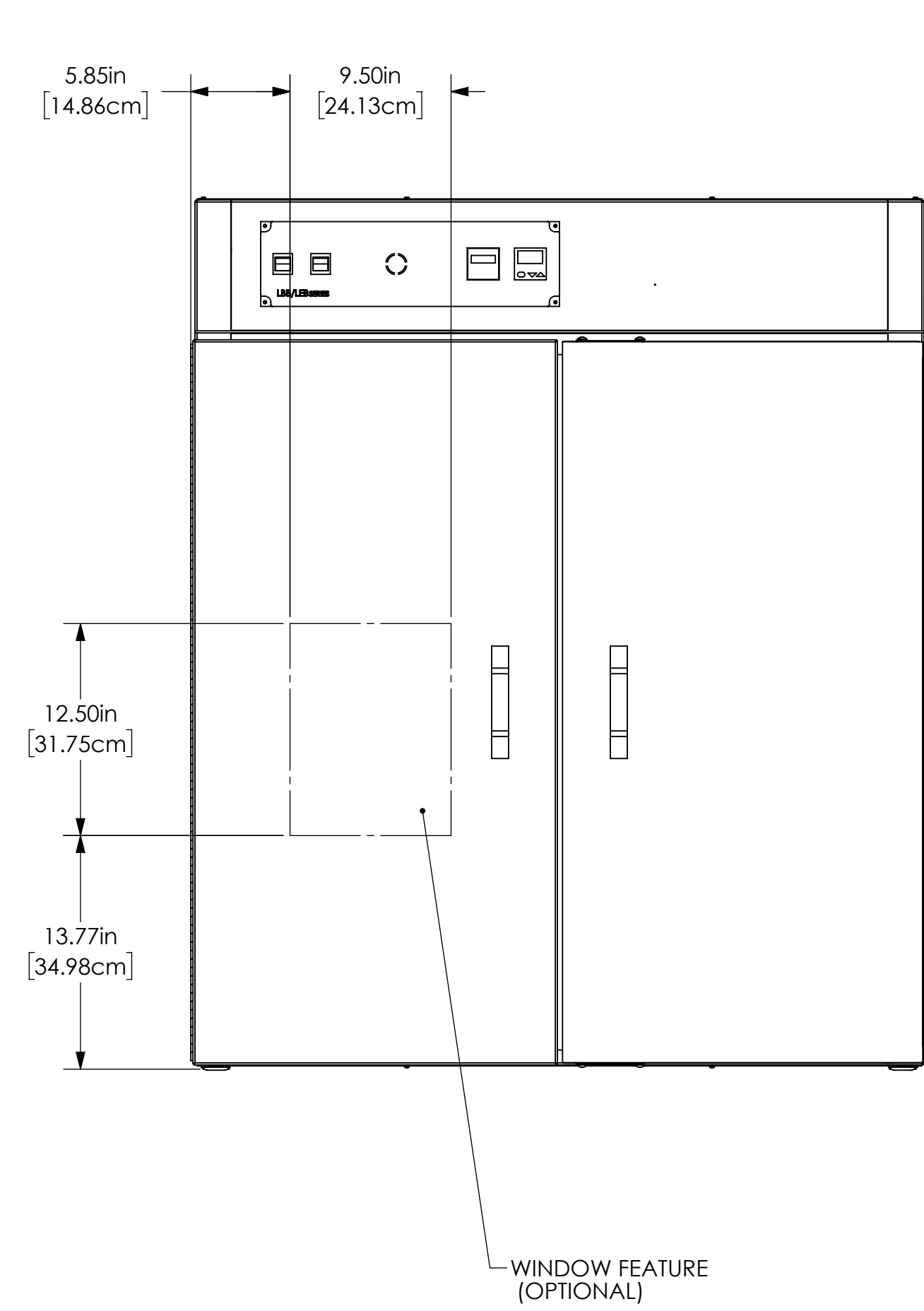
UNLESS OTHERWISE SPECIFIED DIMENSIONAL TOLERANCES

DECIMALS .XX ± .030 .XXX ± .005

THE DESIGN SHOWN ON THIS DRAWING IS THE EXCLUSIVE PROPERTY OF DESPATCH INDUSTRIES. IT IS SUBMITTED WITH THE UNDERSTANDING THAT IT IS NOT TO BE USED FOR ANY PURPOSE OR ITS CONTENTS DISCLOSED WITHOUT THE WRITTEN CONSENT OF DESPATCH INDUSTRIES.

COPYRIGHT ©2014 DESPATCH INDUSTRIES

OPTIONAL ASSEMBLIES



DR'N	BS	SCALE	1:12
CK'D	ERA	DATE	08/18/2014
APP	ERA	SMALL TO	---

Despatch
MINNEAPOLIS, MN • LAKEVILLE, MN

LBB2-27-2 SALES PROPOSAL

UNLESS OTHERWISE SPECIFIED DIMENSIONAL TOLERANCES

DECIMALS
.XX ± .030
.XXX ± .005

THE DESIGN SHOWN ON THIS DRAWING IS THE EXCLUSIVE PROPERTY OF DESPATCH INDUSTRIES. IT IS SUBMITTED WITH THE UNDERSTANDING THAT IT IS NOT TO BE USED FOR ANY PURPOSE OR ITS CONTENTS DISCLOSED WITHOUT THE WRITTEN CONSENT OF DESPATCH INDUSTRIES.

COPYRIGHT ©2014 DESPATCH INDUSTRIES

D	---	342122	C	2 of 2
SIZE	CODE	PART NUMBER	REV	SHT OF SHTS